

## CBAS300-R2PCO-A2P

Mind O≠0, I≠I≠1, S≠5, B≠8.

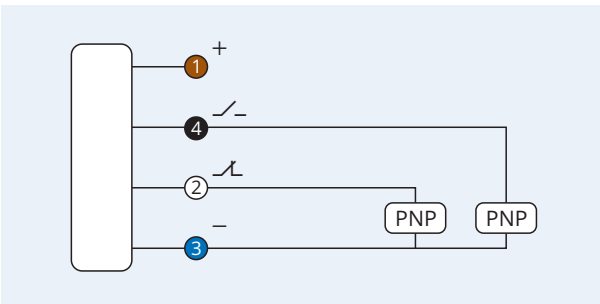
Operating range	0.4...1.5 m · 1½...5 ft
Operating voltage	10...35 V <sub>DC</sub>
Current consumption	47 mA
Current load capability	200 mA
Operating temperature	-20...+55 °C · -3...+132 °F
Cycle time	13.5 ms
Ambient light immunity	>100 klx
Polarity	PNP
Output function	NO+NC
IP code	IP 65
Housing material	aluminum, powder-coated
Pane material	PMMA
Operation indicator	LED green
Connection	cable 2 m PVC
Weight	284 g · 10 oz
Tariff code	85365019
Complies with	CE, RoHS



**Warranty** Our products are manufactured to stringent ISO 9001 European standards to ensure that our customers only receive the best quality.

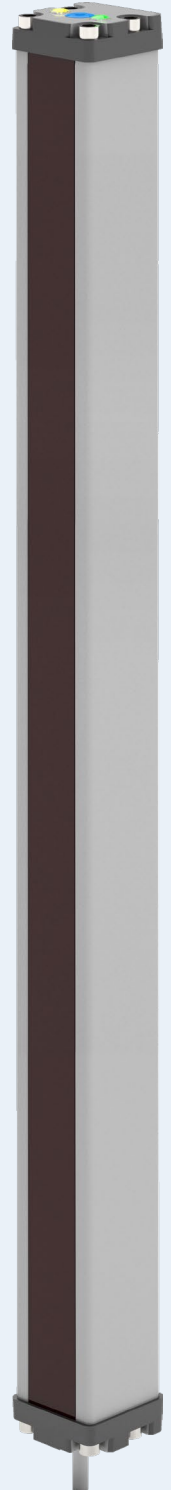
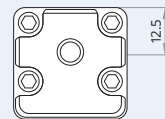
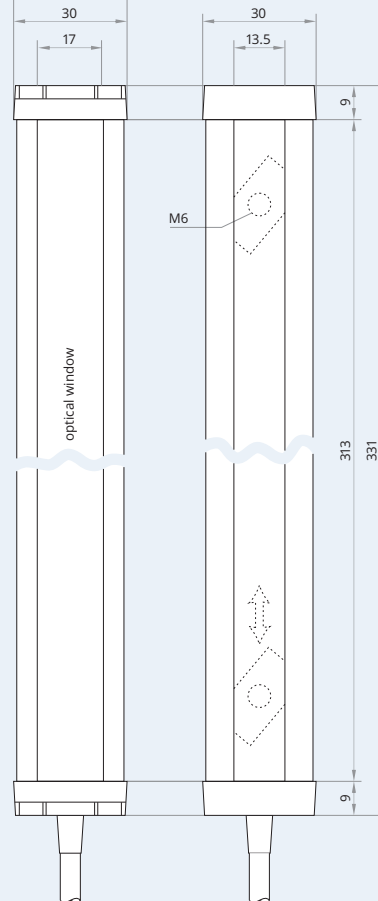
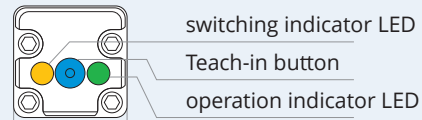


Wiring diagram



## Crossed-Beam Area Sensor Receiver

Active zone: 300 mm · Range: 2 m



Caution! This device shall not be used if the safety of persons relies on its faultless function.

XECRO reserves the right to make minor changes without prior notification.