

INDOOR CURRENT TRANSFORMER

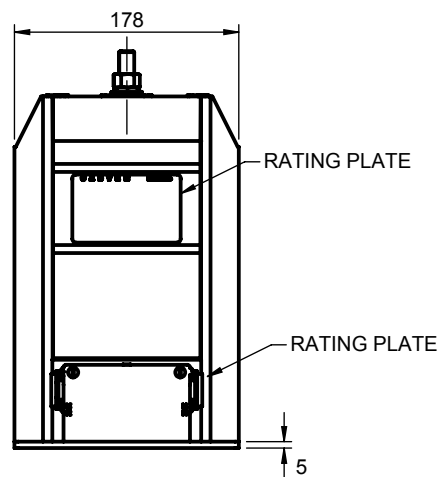
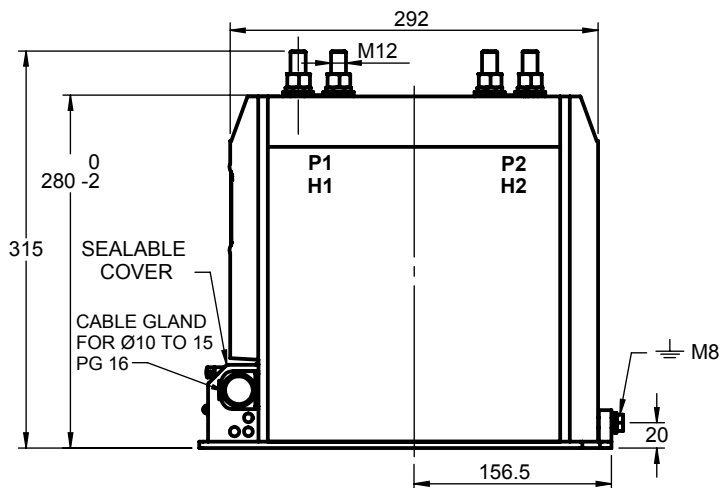
STANDARD : IEC - ANSI - CSA

INSULATION LEVEL : up to 27.5/70/150kV

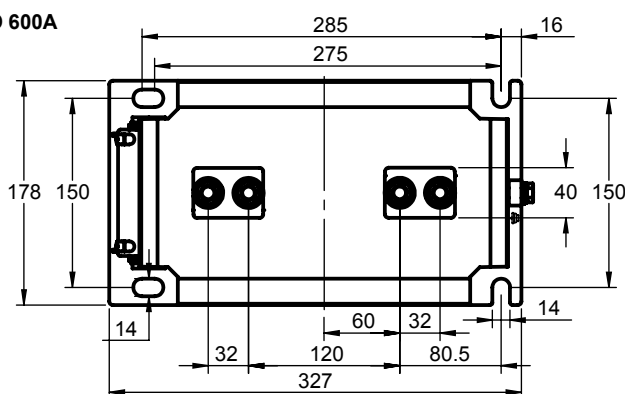
PRIMARY CURRENT : up to 3000A

1 to 3 secondary cores

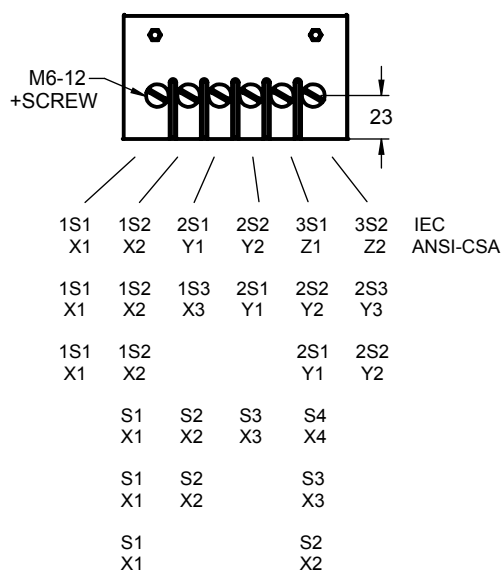
TYPE : SW65-2



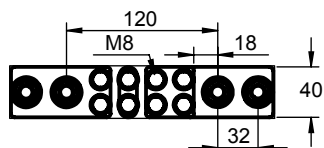
UP TO 600A



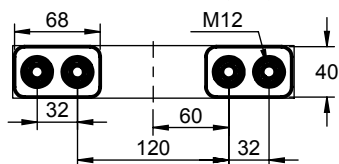
SECONDARY TERMINALS



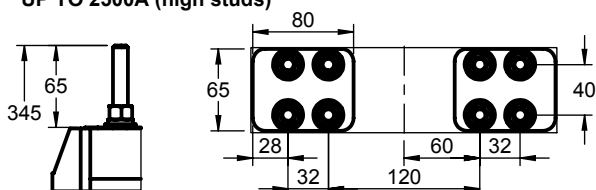
UP TO 600 - 1200A



UP TO 1250A



UP TO 2500A (high studs)



RATED TIGHTENING TORQUE (±5%)

(for 3000A : terminals 88x75)

Secondary terminals (M6) : 7 N.m
 Primary terminals (M12) : 30 N.m
 Coupling primary (M8) : 10 N.m
 Ground terminal (M8) : 10 N.m

Approx. Weight : 30 Kg

This document is the property of SADTEM and may be changed without prior notice

Créat. : 15.11.1999



BP 655
 59506 DOUAI CEDEX
 FRANCE

N°2-33912

Rév. : 04.03.2016

INSTRUMENT TRANSFORMERS