

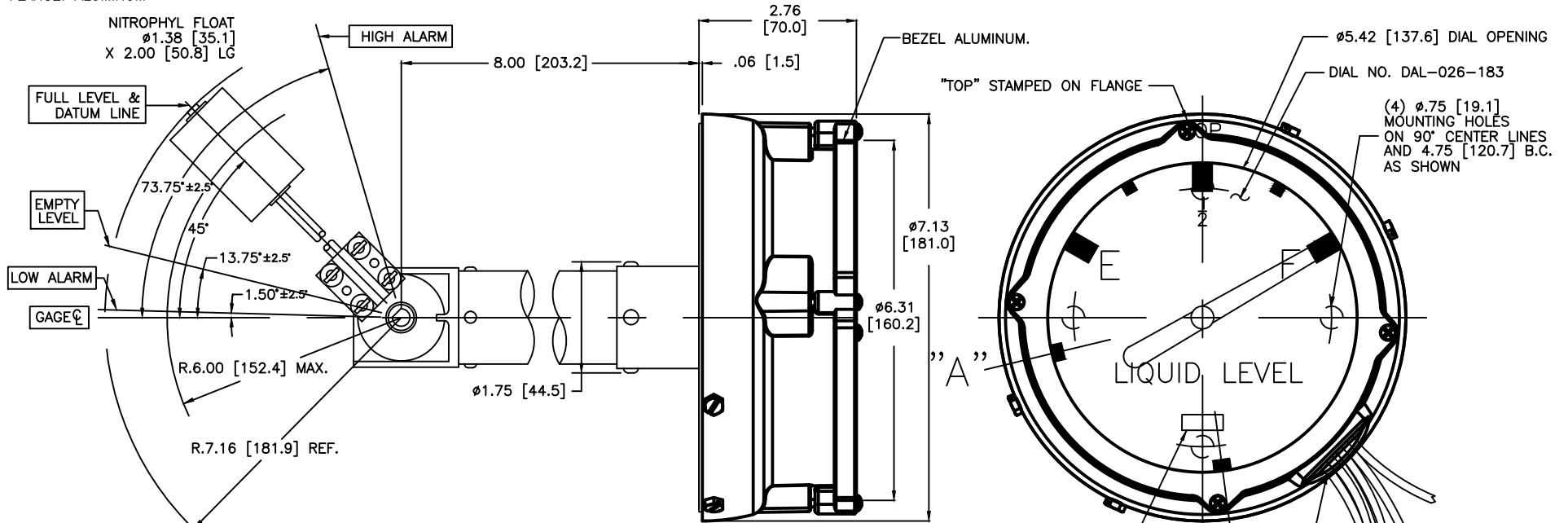
**NOTICE**  
 THIS DRAWING IS THE PROPERTY OF QUALITROL COMPANY LLC AND IS LOANED ONLY ON THE CONDITION THAT IT WILL BE USED TO FACILITATE THE PURPOSE FOR WHICH INTENDED AND NOT BE REPRODUCED, COPIED OR OTHERWISE DISPOSED OF, AND IS NOT TO BE USED IN WHOLE OR IN PART FOR FURNISHING INFORMATION RELATIVE TO THE MAKING OF DRAWINGS, PARTS APPARATUS OR PARTS THEREOF, EXCEPT BY WRITTEN ORDER FROM QUALITROL COMPANY LLC.

MODEL NO.

042-60DK

ALL DIMENSIONS FOR REFERENCE ONLY AND ARE IN INCHES [MILLIMETERS]  
 CASE ASSEMBLY: CASE CONFORMS TO IP65 REQUIREMENTS.  
 DIAL: BLACK CHARACTERS ON A WHITE BACKGROUND  
 POINTER: BLACK

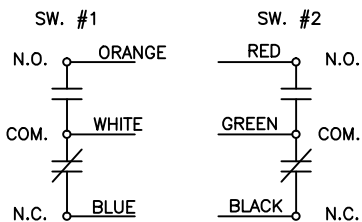
LENS: ACRYLIC CRYSTAL  
 CASE: ALUMINUM, PAINTED ASA 70 LIGHT GRAY EPOXY  
 FLANGE: ALUMINUM



POINTER AND SWITCH CALIBRATIONS TO BE ESTABLISHED FROM DATUM LINE.  
 FLOAT ROD ASS'Y, SCREWS, AND WASHERS ARE TO BE SHIPPED UNASSEMBLED. (PLACE SCREWS AND WASHERS IN BAG AND TAPE TO FLOAT ROD).  
 CUSTOMER PART NO. (256A1072-5) TO BE MARKED ON THE OUTSIDE OF GAGE CARTON.

LABEL WITH G.E. PART NUMBER, 4 DIGIT DATE CODE, QUALITROL PART NUMBER, AND SERIAL NUMBER IS AFFIXED TO DIAL AND TO FRONT FACE OF FLANGE

**WIRING DIAGRAM**



ON LOWERING LEVEL, SWITCH #2 TO OPERATE AT "A" ± 2" (GREEN CLOSSES ON RED).  
 ON RISING LEVEL, SWITCH #1 TO OPERATE AT "B" ± 2" (WHITE CLOSSES ON ORANGE).

**QUALITROL SWITCH RATING**

15 AMP @ 125, 250, 480 V.A.C.  
 1/2 AMP @ 125 V.D.C. - NON INDUCTIVE  
 1/4 AMP @ 250 V.D.C. - NON INDUCTIVE

INSULATION TEST:  
 1500 VOLTS TO GROUND FOR 60 SECONDS

REVISION	PART NUMBER	DESCRIPTION
22946 6-3-02	042-60DK	MODEL (AS SHOWN)
22946 6-3-02	042-60DK-2	CASE ASS'Y ONLY

LET	DATE	ALTERATION	C.N.
-	2-5-16	UPDATED TO CASE/SCREW ON BEZEL DESIGN	34489
-	6-3-02	FLOAT GEARING CHANGED; REDRAWN ON CAD	22946
V	10-20-92	ADD LABEL AND NOTE; REV INK STAMP NOTE	15591

**QUALITROL**

DIMENSIONS AND TOLERANCES IN ACCORDANCE WITH ASME Y14.5M-1994

PH. (585) 586-1515  
 FAX (585) 377-0220

1385 FAIRPORT ROAD  
 FAIRPORT, NY 14450  
 FORM 0-473 REV. F 04/06/06

TITLE: 6" LEVEL GAGE - GEAR TYPE

MODEL NO. 042-60DK