

**NOTICE**  
 THIS DRAWING IS THE PROPERTY OF QUALITROL CORPORATION AND IS LOANED ONLY ON THE CONDITION THAT IT WILL BE USED TO FACILITATE THE PURPOSE FOR WHICH INTENDED AND NOT BE REPRODUCED, COPIED OR OTHERWISE DISPOSED OF, AND IS NOT TO BE USED IN WHOLE OR PART FOR FURNISHING INFORMATION RELATIVE TO THE MAKING OF DRAWINGS, PARTS APPARATUS OR PARTS THEREOF, EXCEPT BY WRITTEN ORDER FROM QUALITROL CORPORATION.

**MODEL NO.** 415-P73

**NOTE:**  
 1.) UNIT PASSES HI-POT TEST;  
 2000 VOLTS BETWEEN CONNECTOR  
 TERMINALS AND GROUND FOR 60 SECONDS.

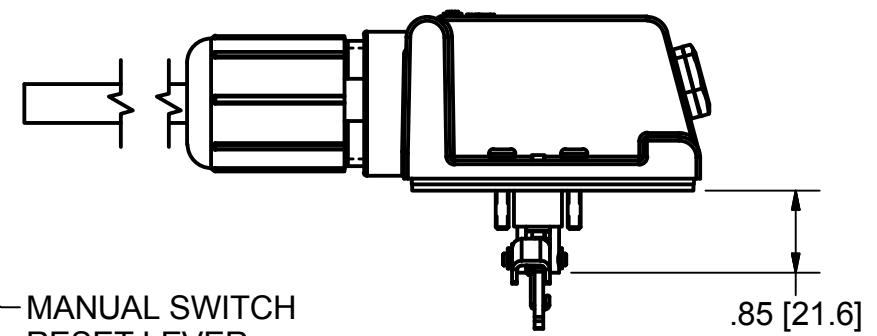
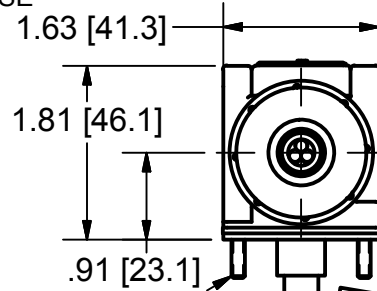
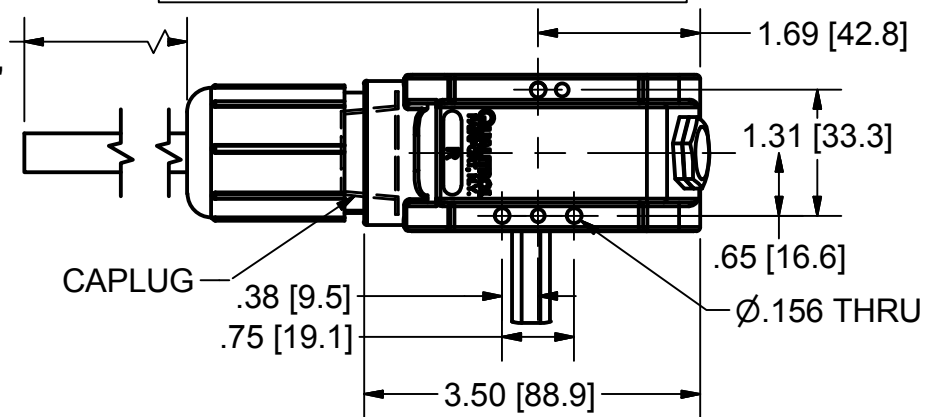
#16 GA. 3-COND.  
 TYPE "SOW-A/SOW"  
 CABLE X "L" LG.  
 (SEE CHART)

**SWITCH OPERATION:**

- WHEN ALARM SWITCH IS MOUNTED ON PRESSURE RELIEF DEVICE, BLACK AND WHITE ARE CLOSED.
- SHOULD THE MECHANICAL RELIEF DEVICE BE CALLED UPON TO OPERATE; WHITE OPENS ON BLACK AND CLOSES ON GREEN.
- GREEN AND WHITE WILL REMAIN CLOSED UNTIL SWITCH RESET LEVER IS MANUALLY DEPRESSED, AT WHICH TIME BLACK AND WHITE WILL CLOSE

**SWITCH RATINGS:**

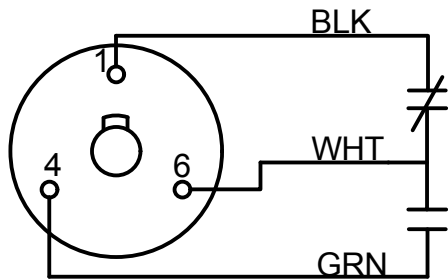
ENEC/CQC: 11(3) A, 125/250 VAC  
 UL/cUL: 11(3)A, 125/250 VAC  
 UL FILE # E12252



(3) MOUNTING SCREWS  
 (SEE CHART)

MANUAL SWITCH  
 RESET LEVER

ACTUATOR



DEV-WIR-3Q05  
 SHOWN IN NON-ALARM  
 STATE

34603, 5-4-17	415-P73G	240.00	CON-603-20	INCLUDED	-
34603, 5-4-17	415-P73F	0.00	CON-603-15	INCLUDED	CONN. W/O CABLE
34603, 5-4-17	415-P73E	48.00	CON-603-5	INCLUDED	-
34603, 5-4-17	415-P73D	84.00	CON-603-19	INCLUDED	-
34603, 5-4-17	415-P73C	-	NONE	INCLUDED	CAP ONLY
34603, 5-4-17	415-P73B	72.00	CON-603-12	INCLUDED	-
34603, 5-4-17	415-P73	-	NONE	NONE	W/O CONN & CAP.
REVISION	PART NO.	"L"	CONNECTOR	MTG. HARDWARE	REMARKS

SHEET 1 OF 2

-	5-4-17	-P73: VNT-014-3 WAS VNT-013-1	34603
-	7-3-13	-P73: ADDED IP65 VENT TO ALARM SWITCH	31508
-	4-20-12	UPDATED SWITCH RATINGS UPDATED SWITCH DESIGN	30164
LET	DATE	ALTERATION	C.N.

**QUALITROL**

DIMENSIONS AND TOLERANCES IN  
 ACCORDANCE WITH ASME Y14.5M-1994

PH. (585) 586-1515  
 FAX (585) 377-0220

1385 FAIRPORT ROAD  
 FAIRPORT, NY 14450

FORM 0-473 REV.D 10/22/02

TITLE: ALARM SWITCH

MODEL NO. 415-P73