

品名 Item : Induction Motor

型號 Model : J230L16-200-10-C(A049)-G1

文件編號 File No : Q3-06-20-00019

版次 Edition : 00

規格書

Data Sheet

Date :2020/03/30

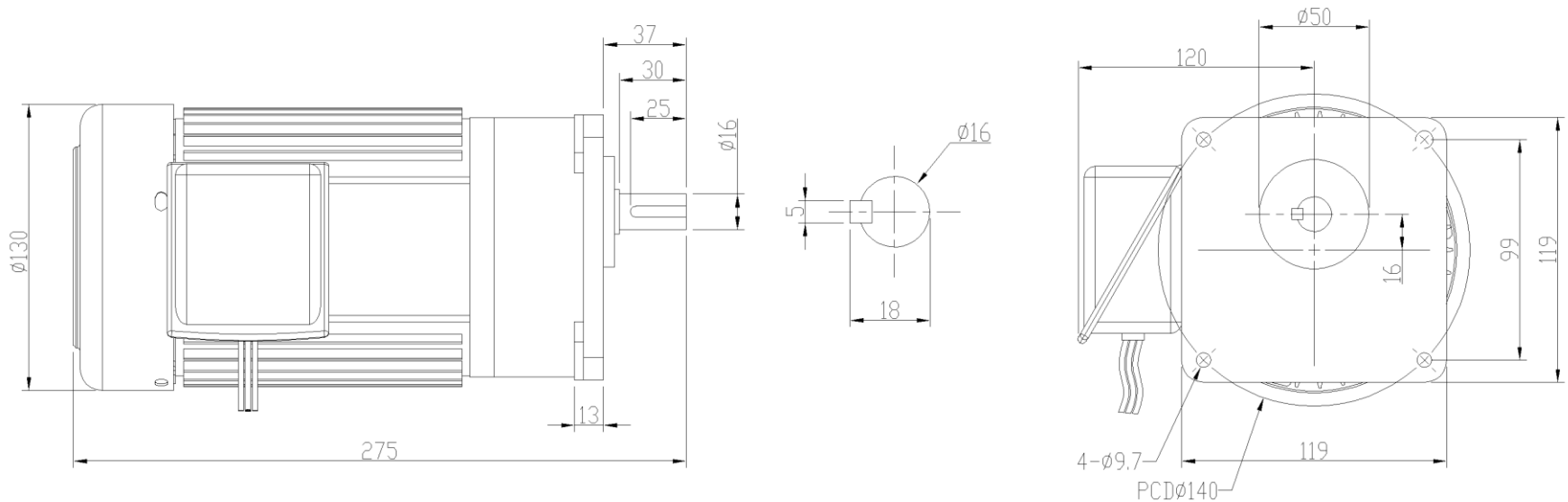
如陽科技股份有限公司
台中市霧峰區光明路 349-3 號
LUYANG TECHNOLOGY. CO., LTD.
NO.349-3, Guangming Rd., WuFeng Dist.,
Taichung City, 413, Taiwan
TEL:+886-4-23313737
FAX:+886-4-23331784

【規格表】

機型 Model		J230L16-200-10-C(A049)-G1		
馬達種類 Type		Single phase 4 pole induction motor		
外殼材質 Motor Case		Aluminum alloy		
馬達特性表 Characteristic	電壓 Voltage	1Ø220V		
	輸出功率 Output	200W		
	額定時間 Rated Time	Continue		
	絕緣等級 Insulation	E CLASS		
	保護等級 IP Rating	IP 23		
	頻率 Frequency	50 Hz	60 Hz	
	額定電流 Rated current	1.68 A	1.48 A	
	額定轉速 Rated speed	1380 RPM	1680 RPM	
	電容器 Capacitor Capacity	8 μ F / 400V		
	絕緣 Insulation resistance	100M Ω (500VDC)		
Reducer 減速機	減速比 Ratio	1/10		
	額定轉速(rpm)	138 RPM	168 RPM	

適用環境 Environment	環境溫度 Environment Temperature	Temperature 0°C~40°C (no freeze)
	環境濕度 Environment Humidity	Humidity 85% below (non-condensing)
	海拔 Altitude	Altitude 1000m below
	安裝環境限制 Install Environment Limitation	Indoor location (Avoid direct sunlight)
		Do not close to easy-explosive and flammable place.
		Avoid dirt, oil or liquids.
		Avoid continuous vibration or hit.
		Less salty environment.
		Avoid electromagnetic interference.
		Not being in the radiate, magnetic or vacuum area.

【外型尺寸圖 Dimension】



Luyang
Technology Co., Ltd

Angle Projection		Draw NO.	-		
Drawer	Alan	Scale	1 : 2.5	DEV.	
Date	2020/03/30	Units	mm	00	

Model	J230L16-200-10-C (A049)-G1
-------	-------------------------------

Q4-06-091-01

Q4-06-084-01