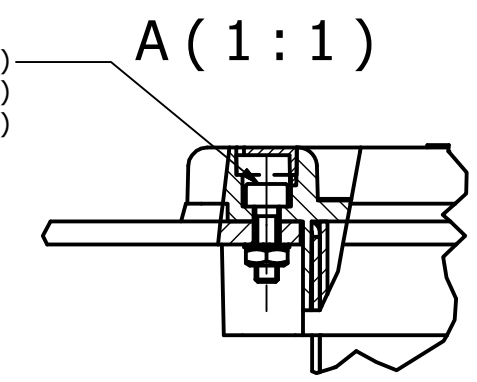
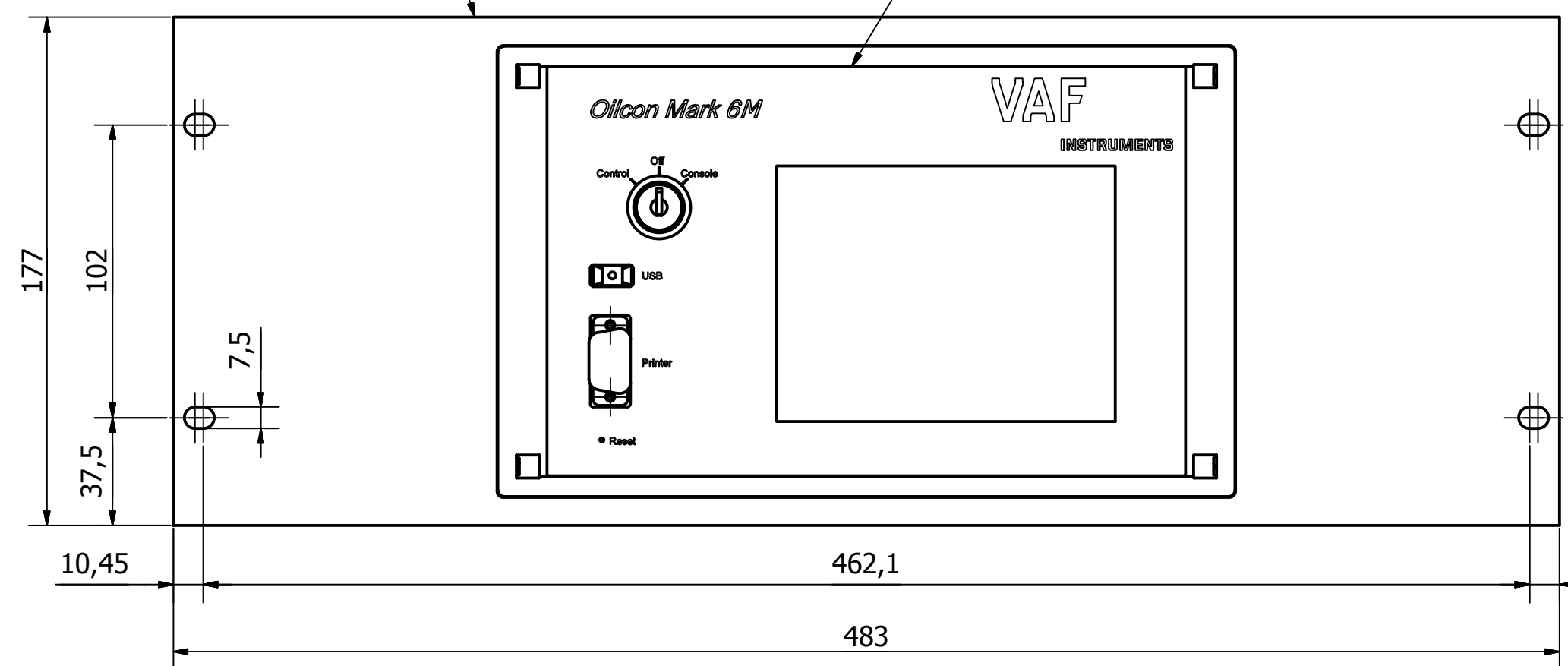


0728-0310 DIN912 HEX SHCS M3x10 (4x)  
 0799-0049 DIN 6798A - RING M3 (4x)  
 0734-0300 DIN934 - NUT M3 (4x)



0410-0355  
 REPLACEMENT PLATE MCU Mk6

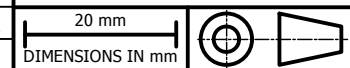
0206-0087 MCU Mk6M



Dimensional drawing 0806-1097  
 Electrical conn. diagram 0806-2048

<b>VAF</b> INSTRUMENTS	DATE : 22-11-11	
	DRAWN : FV	
	CHECKED : WR	
	MATERIAL :	
SEMI MAT. :		
REPLACEMENT UNIT MCU Mk6	0390-1305	A REV.

REV	DESCRIPTION	DATE	PAR
A	Ref dim draw added	27-5-2014	wR
REVISION			



THIS CONFIDENTIAL DOCUMENT IS THE SOLE PROPERTY OF VAF INSTRUMENTS  
 IT MUST NOT BE REPRODUCED IN ANY MATERIAL FORM, OR ITS CONTENTS  
 DIVULGED TO A THIRD PARTY WITHOUT PRIOR WRITTEN AUTHORIZATION.