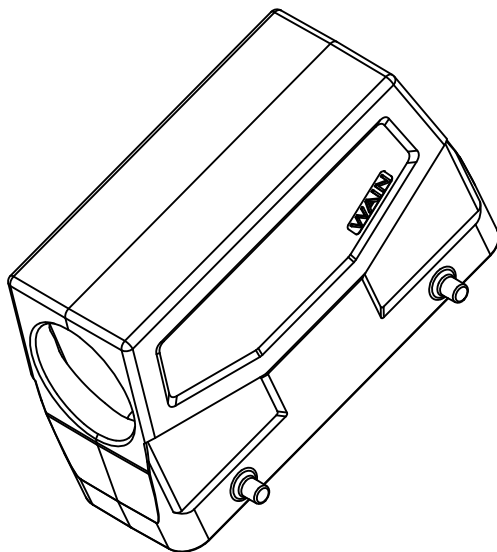

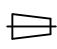


Technical specification:  
 - Material: aluminium die-cast  
 - Surface: passivating treatment  
 - Temperature range: -40°C - +125°C  
 - Degree of protection: IP67  
 (acc.to IEC 60529 for coupled connector)  
 - Cable entry: side entry  
 - No. of cable entries: 1  
 - Thread size: PG29



						Finish	-			Drawing No.	-
						Material	-			Part Code	EMC.W24B-SEH-4B-PG29
Mark	Number	Description		Signature	Date		Scale	REV.	Weight	Qty.	Part No.
		Name	Date	Name	Date	2:3					V1.0
Drawn	M.V.	15.05.2019	Stand.	-	-	  All Dimensions in mm Original Size DIN A 4	AIS/ISK GmbH				
Checked	M.L.	15.05.2019									
Process	-	-	Approved	MAH	15.05.2019						