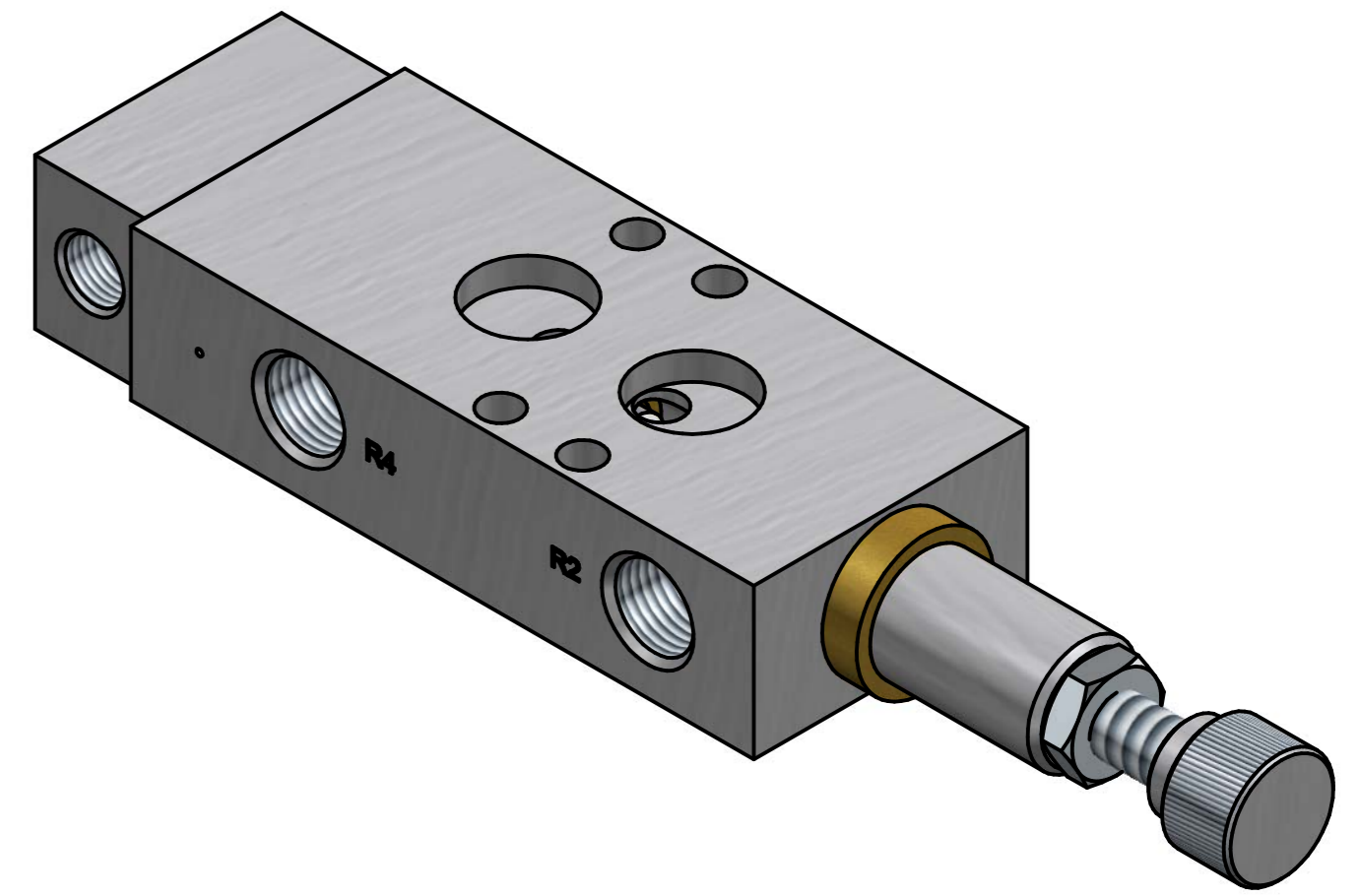
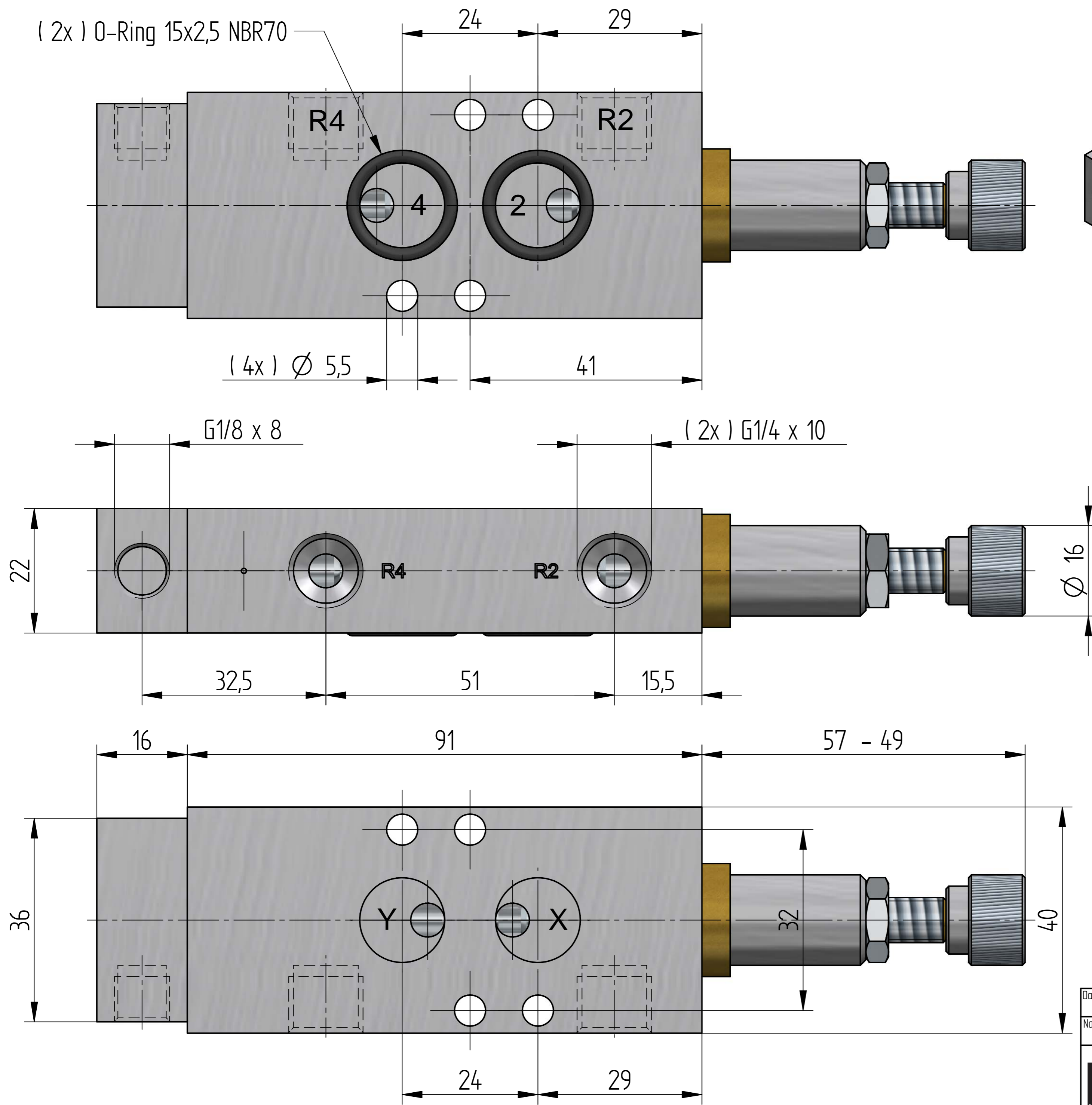
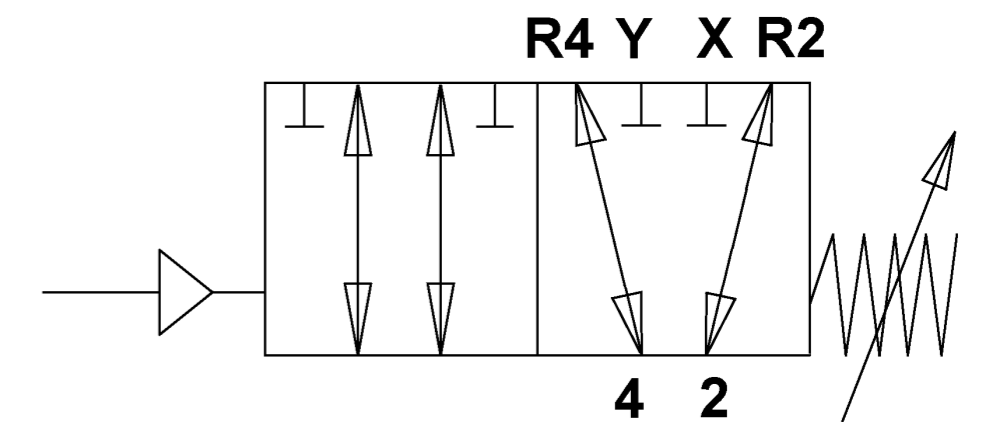


(2x) O-Ring 15x2,5 NBR70



Temperature range: $-10\text{ }^{\circ}\text{C} - +80\text{ }^{\circ}\text{C}$
 Operating pressure: 2 - 10 bar
 Actuating pressure: 0 - 10 bar
 Switching point: adjustable 2 - 4 bar but, this version is set based on sample.
 Nominal size: $\phi 6\text{ mm}$
 Air flow: $\sim 900\text{ NL/min}$.



Date: 2023. 10. 30.		Title: offer drawing	Free mass tolerances: free mass tolerances according to: ISO 2768-1 M
Name: psaghy		Drawing number: AZ-PN 611 611 SR 04	overall tolerances for form and position according to: ISO 2768-2 H
HAFNER Pneumatika Kft. H9228 Halászi Puski u. 3. +36 96 210 601	Scale: M 5:1	AZ-PN 611 611 SR 04_2023.10.30_ENG.dft	A2