

NRG137/2400-3633

EC centrifugal fan

backward-curved, single-intake
Gas blower for condensing boilers



ebm-papst Landshut GmbH

Hofmark-Aich-Straße 25

D-84030 Landshut

Phone +49 (0) 871 707-0

Fax +49 (0) 871 707-465

info3@de.ebmpapst.com

www.ebmpapst.com

Nominal data

Type	NRG137/2400-3633	
Phase		1~
Nominal voltage	VAC	230
Nominal voltage range	VAC	220 .. 240
Frequency	Hz	50/60
Valid for approval/standard		VDE
Speed (rpm)	min ⁻¹	9000
Power consumption	W	190
Min. ambient temperature	°C	0
Air flow	m ³ /h	235
Pressure increase	Pa	3500

ml = Max. load · me = Max. efficiency · fa = Free air · cs = Customer specification · ce = Customer equipment
Subject to change



EC centrifugal fan

backward-curved, single-intake
Gas blower for condensing boilers

Technical description

General description	The values given only apply to the catalog type with item number 55667.33110
Weight	1.900 kg
Dimensions	210.1 x 168.9 x 150 mm
Housing material	Die-cast aluminum
Degree of protection	IP00
Insulation class	"H"
Installation position	Any
Storage	Ball bearing
Motor protection	Electronic locked-rotor and overload protection
Protection class	I (with customer connection of protective earth)
Approval	VDE, CE

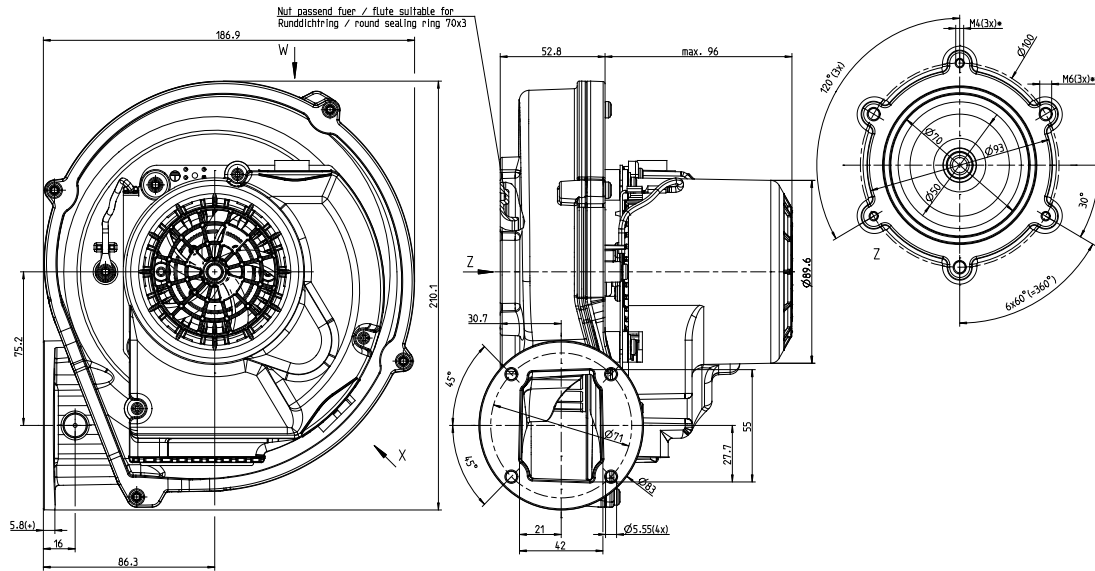


EC centrifugal fan

backward-curved, single-intake

Gas blower for condensing boilers

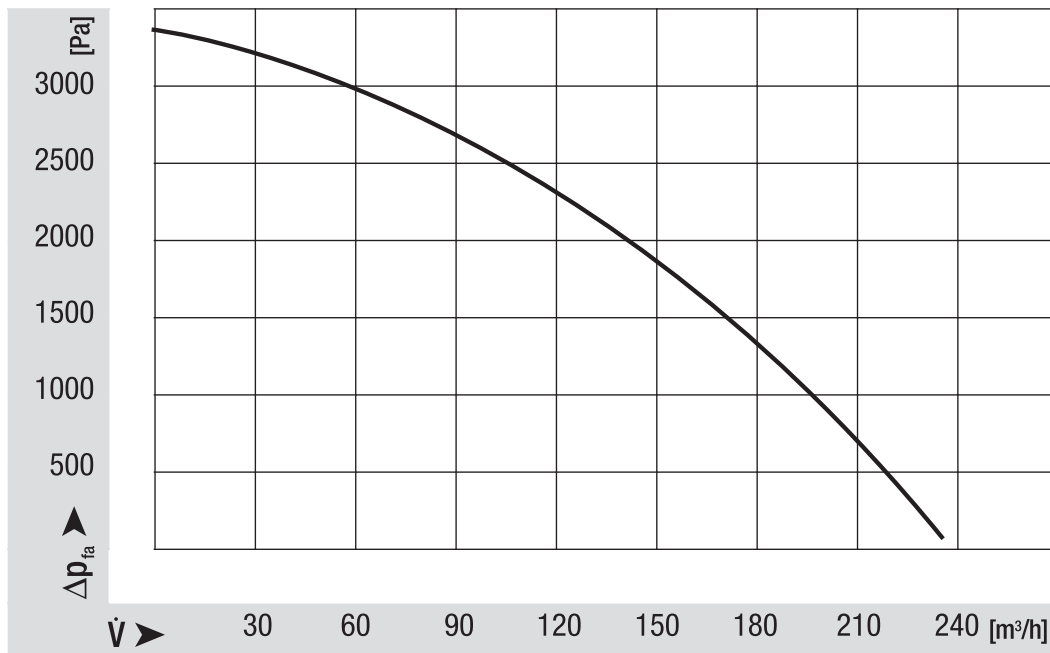
Product drawing



EC centrifugal fan

backward-curved, single-intake
Gas blower for condensing boilers

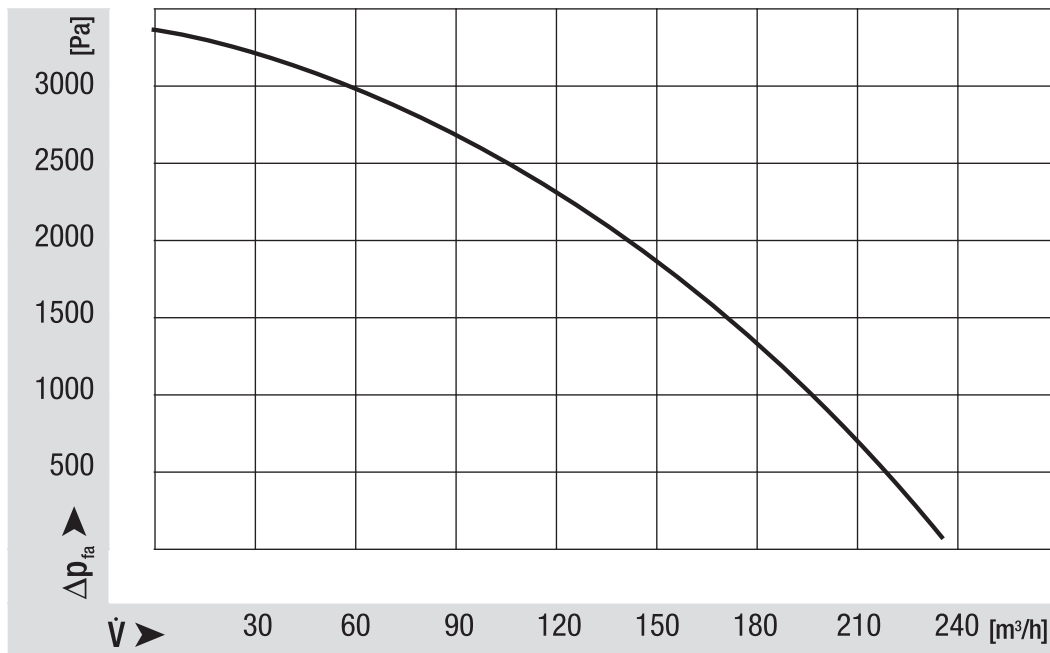
Curves



EC centrifugal fan

backward-curved, single-intake
Gas blower for condensing boilers

Curves: Air performance



EC centrifugal fan

backward-curved, single-intake
Gas blower for condensing boilers

Curves: Speed (rpm)

