

LUBRICATION EQUIPMENT

+ EXPAND ALL | - COLLAPSE ALL

Manual-Foot Operated

QS-1800A (VIPER®)



Quick Stick Series (Air and Electric Hydraulic)

QS-2000A AIR/HYDRAULIC



QS-2200A ELECTRIC/HYDRAULIC



QS-5000-C AIR/HYDRAULIC



70 Series (Air Operated)

5-70 (LIL' GREASER)



10-70 (EASY LUBE)



40-70 (EASY LUBE)



Hand Operated Injections Guns

1400



1000A-31GB



6268A-13-G



MM (MINI-MITE)



Other Tools

CT-LOADER (BIG GRIP)



FITTINGS & ADAPTERS

+ EXPAND ALL | - COLLAPSE ALL

GIANT BUTTONHEAD FITTINGS



[Schematics \(DC\) \(/images/schematics/DC.pdf\)](#)
[Schematics \(SC\) \(/images/schematics/SC.pdf\)](#)

[Request Information](#)

Available in single ball check or double ball check for high pressure application.

Common use: Ball Valve

Part Number (Single Check)	Part Number (Double Check)	Thread Size
SC-18	-	1/8" NPTF
SC-14	DC-14	1/4" NPT
SC-38	DC-38	3/8" NPT
SC-12	DC-12	1/2" NPT
-	DC-34	3/4" NPT
-	DC-1	1" NPT

COMBINATION GIANT BUTTONHEAD/LUBE SCREW FITTINGS +

VENTED CAP FITTING +

VENTED CAP GIANT BUTTONHEAD FITTING -



[Schematics \(images/schematics/CF-GB fitting.pdf\)](#)

[Request Information](#)

Designed with single ball check that provides the primary seal while the vented cap is the secondary seal to retard corrosion of the fitting face.

Common use: Ball or Gate Valve

Part Number (Single Check)	Part Number (Double Check)	Thread Size
CF-14-GB	-	1/4" NPT
CF-38-GB	-	3/8" NPT
CF-12-GB	-	1/2" NPT
CF-34-GB	-	3/4" NPT
CF-1-GB	-	1" NPT

SPECIAL HIGH PRESSURE PLUG VALVE GIANT BUTTONHEAD FITTING W/ RELIEF SLOT +

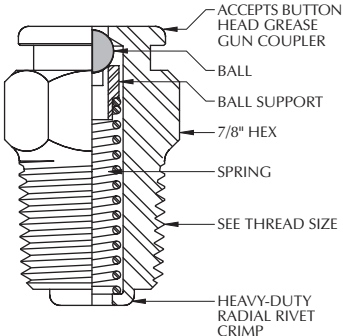
SAFETY-SEAL FITTING +

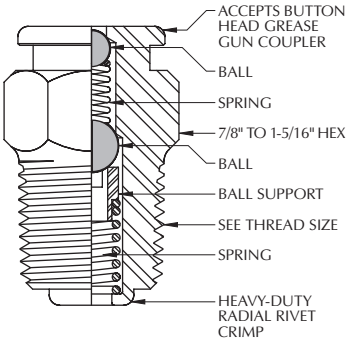
PACKING INJECTOR +

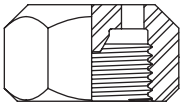
PACKING INJECTOR PRESSURE RELIEF TOOL +

BODY BLEED FITTING +

AUXILIARY FITTING +







VENT CAP,
1-1/4" HEX

