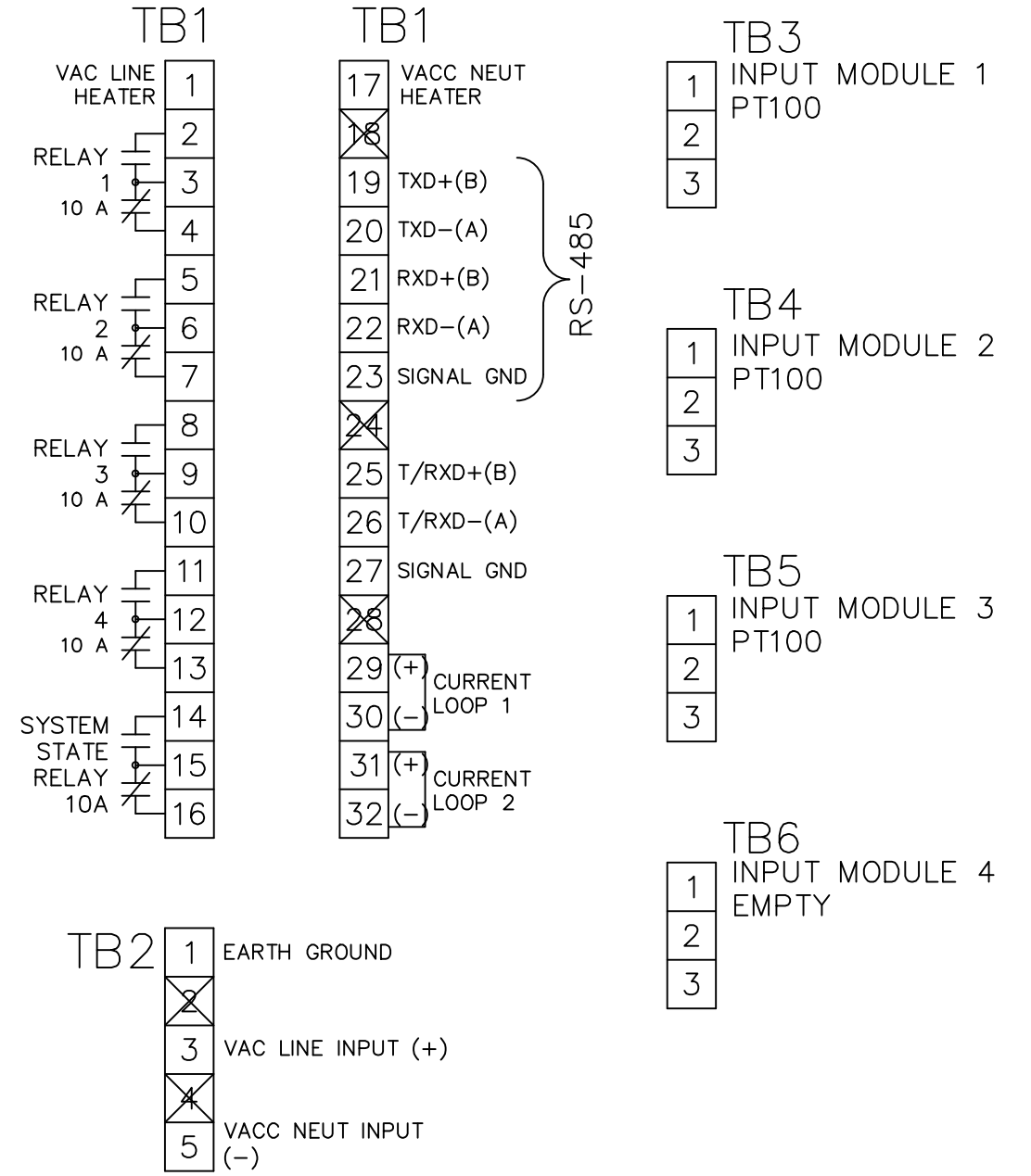
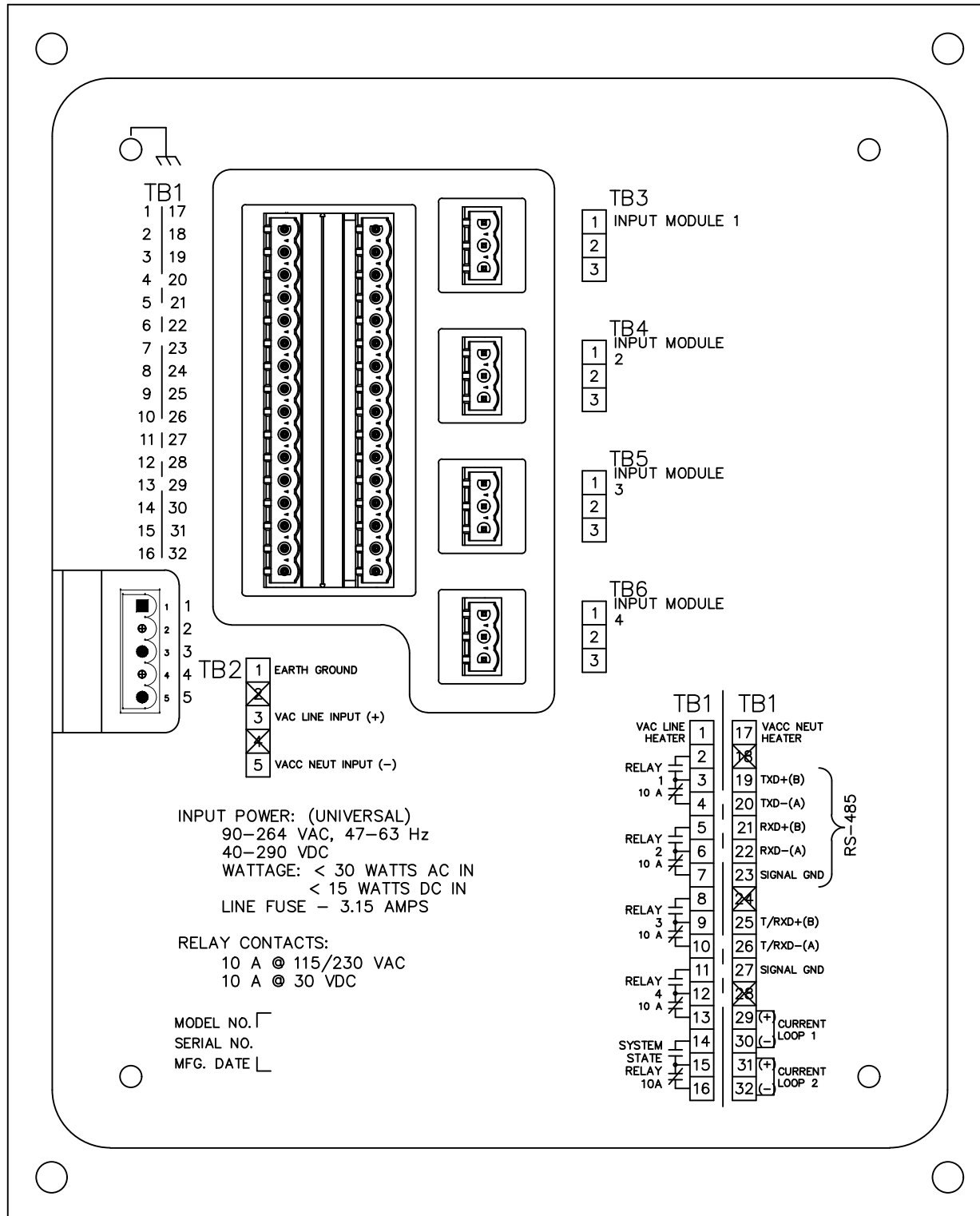


NOTICE
THIS DRAWING IS THE PROPERTY OF QUALITROL COMPANY LLC AND IS LOANED ONLY ON THE CONDITION THAT IT WILL BE USED TO FACILITATE THE PURPOSE FOR WHICH INTENDED AND NOT BE REPRODUCED, COPIED OR OTHERWISE DISPOSED OF, AND IS NOT TO BE USED IN WHOLE OR PART FOR FURNISHING INFORMATION RELATIVE TO THE MAKING OF DRAWINGS, PARTS APPARATUS OR PARTS THEREOF, EXCEPT BY WRITTEN ORDER FROM QUALITROL COMPANY LLC.

MODEL NO.

ITM507-00416513

INPUT/OUTPUT DESIGNATIONS
(LOCATED ON REAR COVER)



QUALITROL

DIMENSIONS AND TOLERANCES IN ACCORDANCE WITH ASME Y14.5M-1994

PH. (585) 586-1515
FAX (585) 377-0220

1385 FAIRPORT ROAD
FAIRPORT, NY 14450

FORM 0-473 REV. F 04/06/06

TITLE: INTELLIGENT TRANSFORMER MONITOR

MODEL NO. ITM507-00416513