

DO NOT SCALE PRINT

DIMENSIONS AND TOLERANCES IN ACCORDANCE WITH ASME Y14.5M-1994

WAS NO.

DRAWING NO.

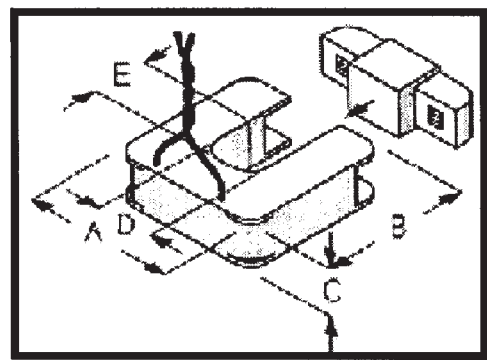
TRA-017

**FEATURES COMMON TO ALL SCTs**

- Output is 0.333 V at rated current.
- Accuracy  $\pm 1\%$ .
- Phase angle  $< 2$  degrees.
- Snap closing/opening feature.
- Shrouded core blades for protection during installation.
- Core interleaved at joints for accuracy.
- No exposed metal parts on assembled transformer.
- Internal precision burden resistor across secondary.
- Models (-000) available with no burden resistor. Clamped to 22V peak. Current ratio 7500:1
- Epoxy encapsulated housing.
- Leads- 20ft. twisted pair, 22 AWG.
- Accuracy is measured from 10% to 130% of rated current.
- Phase angle is measured at 50% of rated current.
- Clamp-on release strength = 10-15 LBS.

REVISION	PART NUMBER	AMPS	ENGINEERING REFERENCE NUMBER	VENDOR PART NUMBER
38227 8-14-18	TRA-017-1	0-10	SCT-0750-010	4379-109
38227 8-14-18	TRA-017-2	0-50	SCT-0750-050	4379-110
38227 8-14-18	TRA-017-3	0-5	SCT-0750-005	4379-103
38227 8-14-18	TRA-017-4	0-20	SCT-0750-020	4379-112
38227 8-14-18	TRA-017-5	0-30	SCT-0750-030	4379-108
38227 8-14-18	TRA-017-6	0-200	SCT-2000-200	4381-107
38227 8-14-18	TRA-017-7	0-100	SCT-1250-100	4380-107
38227 8-14-18	TRA-017-8	0-2	SCT-0750-002	
38227 8-14-18	TRA-017-9	0-400	SCT-1250-400	

**DIMENSIONS AND SPECIFICATIONS  
OPENING CURRENT TRANSFORMERS**



Size	SCT-0750	SCT-1250	SCT-2000
A	2.000"	3.250"	4.750"
B	2.100"	3.350"	5.000"
C	0.610"	1.000"	1.200"
D	0.750"	1.250"	2.000"
E	0.750"	1.250"	2.000"

**NOTICE**  
THIS DRAWING IS THE PROPERTY OF QUALITROL CORPORATION AND IS LOANED ONLY ON THE CONDITION THAT IT WILL BE USED TO FACILITATE THE PURPOSE FOR WHICH IT WAS INTENDED AND NOT BE REPRODUCED, COPIED OR OTHERWISE DISPOSED OF, AND IS NOT TO BE USED IN WHOLE OR PART FOR FURNISHING INFORMATION RELATIVE TO THE MAKING OF DRAWINGS, PARTS, APPARATUS OR PARTS THEREOF, EXCEPT BY WRITTEN ORDER FROM QUALITROL CORPORATION.

LET	DATE	ALTERATION	C.N.
-	8-14-18	DELETE UL NOTE & ADD EQUIVALENT VENDOR	38227
-	3-3-14	ADDED CLAMP-ON RELEASE STRENGTH NOTE	32214
-	2-29-12	CHANGED ALL VENDOR PART NUMBERS	30008
-	3-1-02	20FT LEADS WERE 8FT; ADD VENDOR P/N's	22783
-	11-29-00	RELEASE	21718

TITLE: SPLIT-CORE, CLAMP-ON CURRENT TRANSFORMER  
VENDOR: MAGNELAB CORP. OR EQUIVALENT  
FINISH:

TOLERANCE UNLESS NOTED:  
2 PLC.DECIMAL +/- .02  
3 PLC.DECIMAL +/- .005  
ANGULAR +/- 2 DEG.



FORM 0-465 REV.C 7/1/97

DRAWN	DATE
R.M.PALAZZO	11-29-00
CHECK JRP	11-30-00
APP'D JRP	11-30-00

SCALE 1:1  
SHEET 1 OF 1  
DRAWING NO. TRA-017