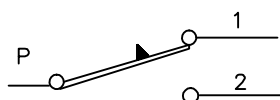
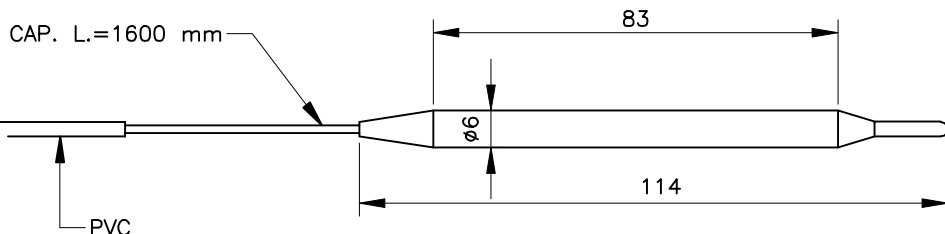
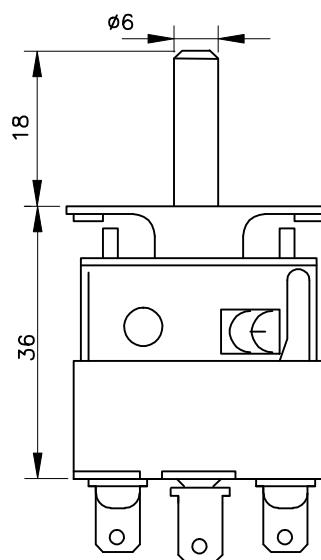
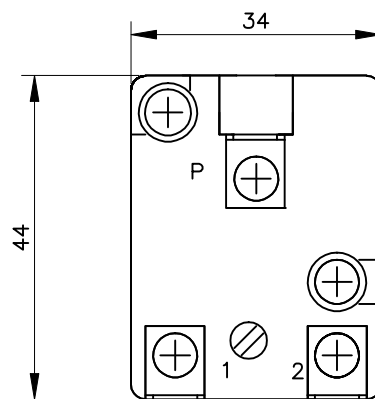
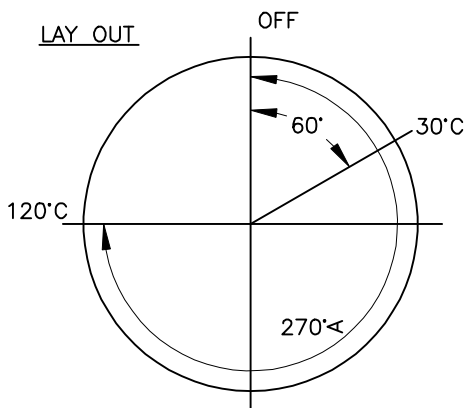


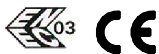
LAY OUT



SP - DT  
ELECTRIC DIAGRAM

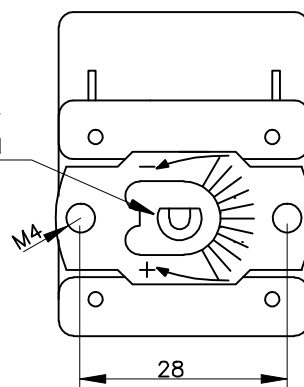
16(5)A 250V~

APPROVALS



CONNECTION TABS 1/4"  
MIN CAPILLARY BENDING RADIUS 5 MM  
LAY OUT TEMPERATURE IN LIQUID BATH  
COPPER CAPILLARY AND BULB  
TEMPERATURE RANGE : 30°C-120°C±4°C  
DIFFERENTIAL : 4°C±2°C  
INSULATION CLASS II

SHAFT IN OFF POSITION



THERMOSTAT TU V DT 30°C-120°C RAE

**C.a.e.m. s.r.l.**

Via Rivera 106-108

10040 ALMESE (TO) ITALY



SCALA :

DATA : 18-09-2013

DIS. TACCA GIANLUCA

VISTO

SOSTITUISCE IL:

LP1086

DIS. N'

MATERIALE

FINITURA