

SEWN series

Electric Horns for Vessels and Heavy Industrial Applications

Electric horns for vessels and heavy industrial applications featuring excellent sealing, corrosion resistance, and durability

Can select from wall mount type, self stand type, and terminal box type for your various application needs

SEWN30 - Max 118dB

SEWN50 - Max 120dB

Aluminum housing



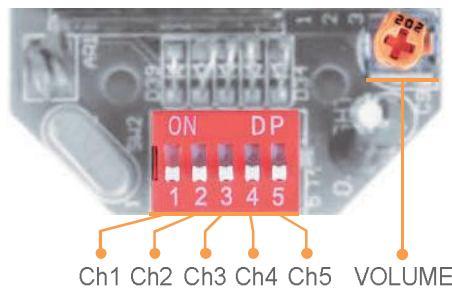
Common Specifications(SEWN30/ SEWN50)

- Electric horn with tightly sealed structure has excellent durability. Suitable for vessels, steel industry, and outdoor plant applications
- Can select between a variety of mounting options (wall mount type, self stand type, and terminal box type)
- Aluminum housing provides excellent durability
- A variety of sound selection between warning sounds, alarm sounds, melodies and voice messages to fit your sophisticated application needs
- Can adjust sound volume with the dial built inside the unit
- Terminals located inside the terminal box or product
- Cable entry : 1/2"PF
- Materials : Housing-Al, Horn housing-PC/ STS316L
- Standard Housing color : MUNSELL No. 7.5BG 7/2
- Ambient operating temperature : -30°C to +50°C
- Protection rating : IP56, Suitable for outdoor installation
- Certificates : KIMM, ABS, CCS, CE Compliant

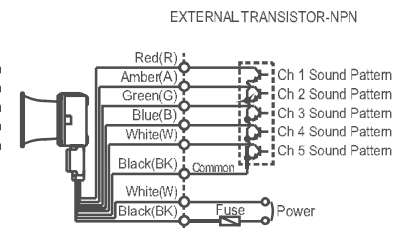
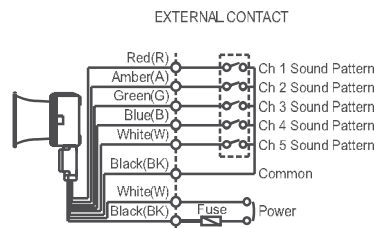
Sound Selection and Wiring Instructions

- Standard type : Select sound using the switch inside the unit. When you turn on the dip switch for each channel the sound is turned on.

- Customized type : Select sound using the external contact(LC)
You can select the audible sound pattern using external contacts or transistor with a customized external sound line(Model number : -LC)
- Product can be wired regardless of polarity



SEWN30 SERIES-DC/AC
SEWN50 SERIES-DC/AC



SEWN30 series

Electric Horns for Vessels and Heavy Industries Applications



SEWN30 series Max 118dB

Model number	Sound pattern	Volume	Voltage / Current	Certificates	Weight
SEWN30E -Wall mount	WS 5 Warning sounds	118dB	DC12V / 2.211A DC24V / 1.022A AC110V / 0.226A AC220V / 0.113A	 DC Only	SEWN30E DC-1.76kg AC-2.11kg
SEWN30L -Self stand	WP 5 Special warning sounds	118dB			SEWN30L AC-1.74kg AC-2.13kg
SEWN30T -Wall mount with terminal box	WM 5 Melodies	118dB			SEWN30T DC-2.23kg AC-2.58kg
	WA 5 Alarms	116dB			
	WW 5 Customizable sounds	113dB			

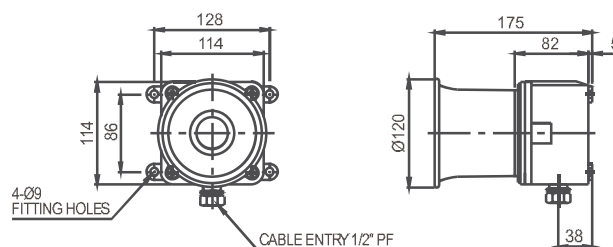
* Please refer to page 22 for detailed information about selectable sound patterns.



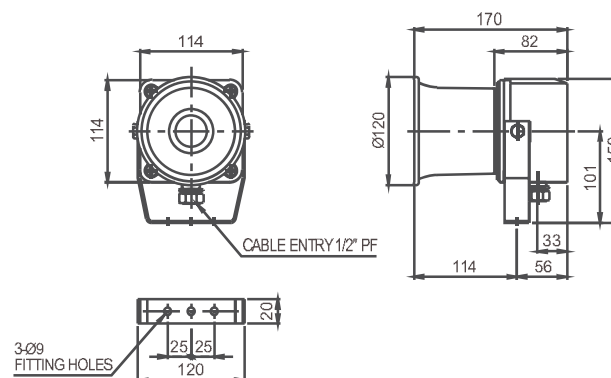
Technical Diagram

(Units : mm)

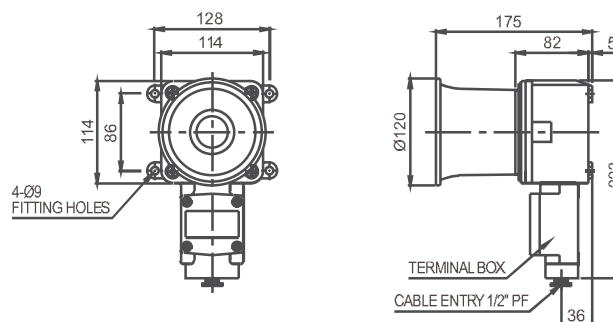
SEWN30E



SEWN30L



SEWN30T



118dB



SEWN30E



SEWN30L



SEWN30T

- SEWN30E/ SEWN30L model uses flexible connector at cable entry and SEWN30T model use 15C nipple at cable entry.
- Cable gland is customizable



Flexible connector



15C nipple

SEWN50 series

Electric Horns for Vessels and Heavy Industries Applications



SEWN50 series Max 120dB

Model number	Sound pattern	Volume	Voltage / Current	Certificates	Weight
SEWN50E -Wall mount	WS 5 Warning sounds	120dB	DC12V / 2.440A DC24V / 1.186A AC110V / 0.244A AC220V / 0.122A	 DC Only	SEWN50E DC-4.22kg AC-4.52kg
SEWN50L -Self stand	WP 5 Special warning sounds	120dB			SEWN50L AC-4.20kg AC-4.50kg
SEWN50T -Wall mount with terminal box	WM 5 Melodies	120dB			SEWN50T DC-4.65kg AC-4.95kg
	WA 5 Alarms	118dB			
	WW 5 Customizable sounds	115dB			

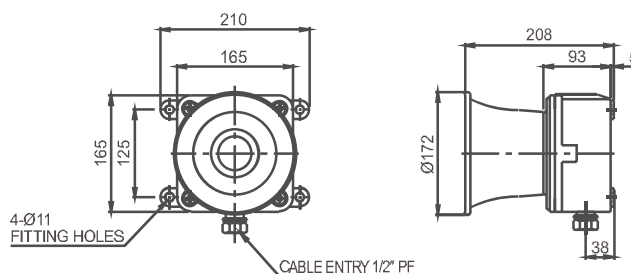
* Please refer to page 22 for detailed information about selectable sound patterns.



Technical Diagram

(Units : mm)

SEWN50E

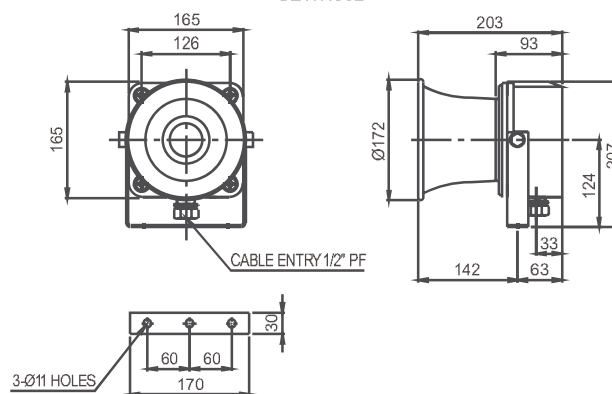


SEWN50E



SEWN50L

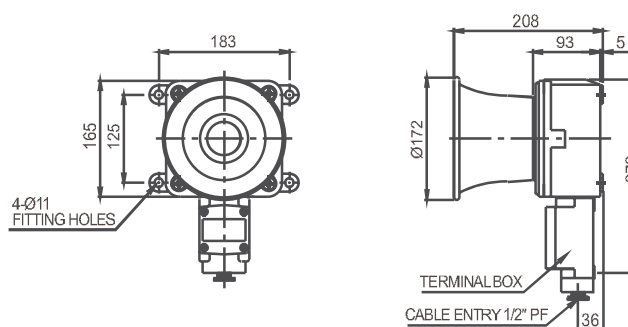
SEWN50L



SEWN50T



SEWN50T



- SEWN50E/ SEWN50L model uses flexible connector at cable entry and SEWN50T model uses 15C nipple at cable entry.
- Cable gland is customizable



Flexible connector



15C nipple



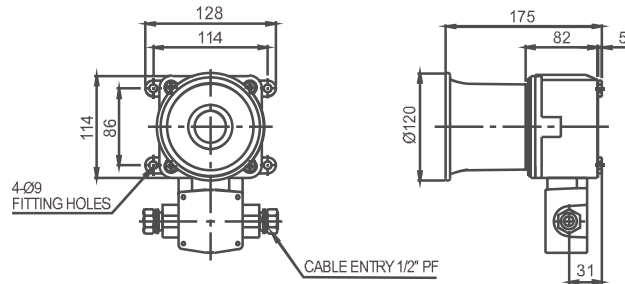


2 Cable Entry Terminal Box Type Technical Diagram

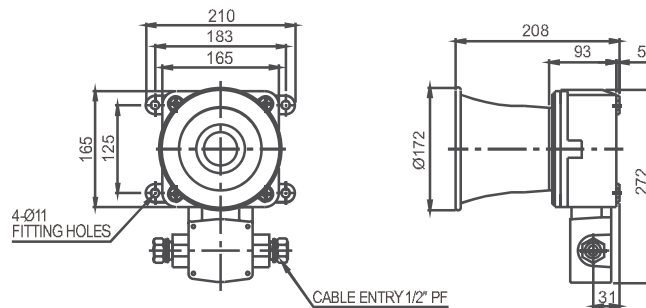
(Units : mm)



SEWN30-2T



SEWN50-2T



Customization

- Cable gland available
 - 3/4"PF cable entry (Standard : 1/2"PF)
 - 2 cable entries terminal box :
Customized terminal box available with two cable entries in opposite directions
(Model number : SEWN30-2T, SEWN50-2T)
 - Brass housing product :
Brass housing products provide improved corrosion resistance.
- ※ Color will be MUNSELL No. 7.5BG 7/2 when released.
- External threading of sound line (Model number : -LC)



Brass housing product



Ordering Specification

SEWN30T	WS	220	LC
[Model number]	[Sound]	[Voltage]	[Sound selection]
<ul style="list-style-type: none"> • SEWN30E • SEWN30L • SEWN30T • SEWN50E • SEWN50L • SEWN50T 	<ul style="list-style-type: none"> • WS-Warning • WP-Special warning sounds • WM-Melody • WA-Alarm • WV-Customizable sound 	<ul style="list-style-type: none"> • 12-DC12V • 24-DC24V • 110-AC110V • 220-AC220V 	<ul style="list-style-type: none"> • Standard -Built-in switch • LC -External contact