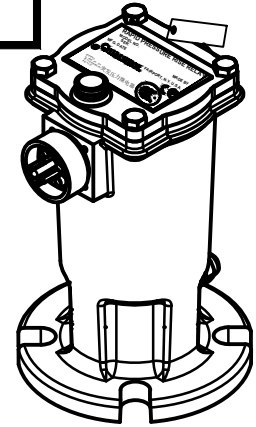


NOTICE

THIS DRAWING IS THE PROPERTY OF Qualitrol Company LLC AND IS LOANED ONLY ON THE CONDITION THAT IT WILL BE USED TO FACILITATE THE PURPOSE FOR WHICH INTENDED AND NOT BE REPRODUCED, COPIED OR OTHERWISE DISPOSED OF, AND IS NOT TO BE USED IN WHOLE OR PART FOR FURNISHING INFORMATION RELATIVE TO THE MAKING OF DRAWINGS, PARTS APPARATUS OR PARTS THEREOF, EXCEPT BY WRITTEN ORDER FROM Qualitrol Company LLC.

MODEL NO.

900/910 RPRR SERIES

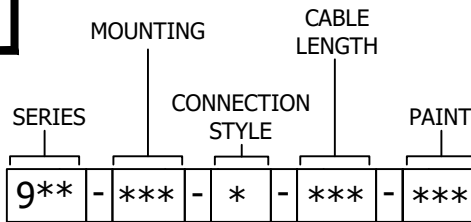


NOTES: UNLESS SPECIFIC OTHERWISE

1. MEETS QUALITROL PRODUCT PERFORMANCE SPECIFICATION PPS-9.
2. FOR OIL OR GAS SPACE INSTALLATION ONLY.
3. UNIT CONFORMS TO THE REQUIREMENTS OF IP65.
4. PAINT: STD ANSI 70 GRAY EPOXY PAINT OR CORROSION RESISTANT CSM.
5. STANDARD CONNECTORS FOR ANSI, QUALITROL AND MILITARY.
6. ISOLATION TEST: 2000V TO GROUND FOR 60 SECONDS.
7. MOUNTING GASKETS, SPECIAL CONNECTORS CAN BE ADDED SEPARATELY.

SWITCH RATING

- 15 AMP @ 125, 250, 480 VAC
- .5 AMP @ 125 VDC - NON-INDUCTIVE
- .25 AMP @ 250 VDC - NON-INDUCTIVE

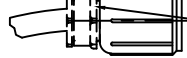


900 - OIL 910 - GAS	FLA - FLANGE THD - THREAD	Q - QUALITROL A - ANSI M - MILITARY T - TERMINAL BOX TT - TB W/TEST BUTTON	NO 180 0 240 60 C.S. 72 84 96	STD C5M
------------------------	------------------------------	---	--	------------

OPTIONAL CONNECTOR

CABLE OPTIONS

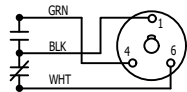
- NONE
- 0" (PG16 CABLE GRIP PARTS ONLY)
- 60"
- 96"
- 120"



OPTIONAL, SEE CHART.
16 GA. 3 CONDUCTOR CABLE
UL TYPE SOW-A, CSA TYPE 50
OR PG16 THREAD AND GRIP.
FOR MODELS WITH 0.00 IN
CABLE

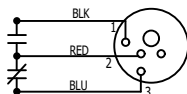
DEVICE WIRING

QUALITROL



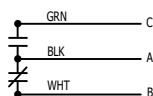
QUALITROL
(3Q17)

ANSI



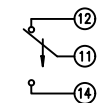
ANSI
(3A01)

MILITARY



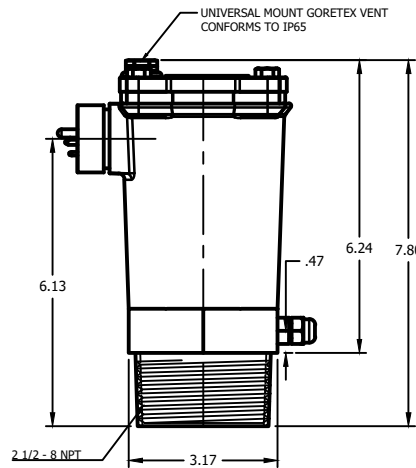
MILITARY
(3M04)

TERMINAL BOX

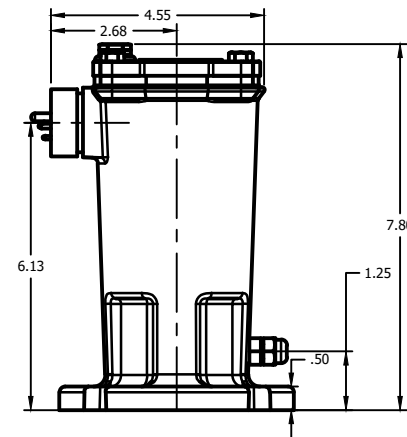


TERMINAL BOX
(4J02)

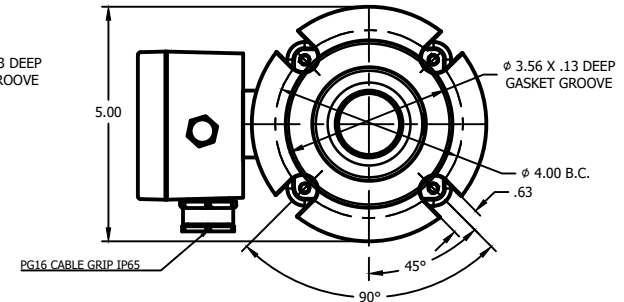
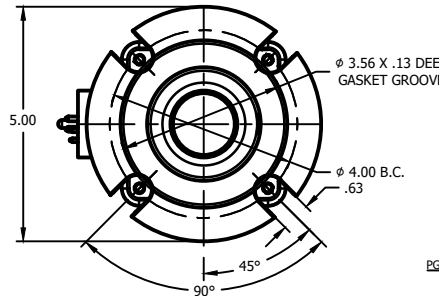
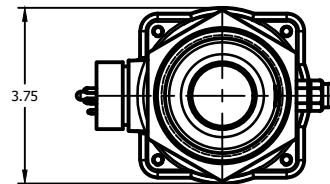
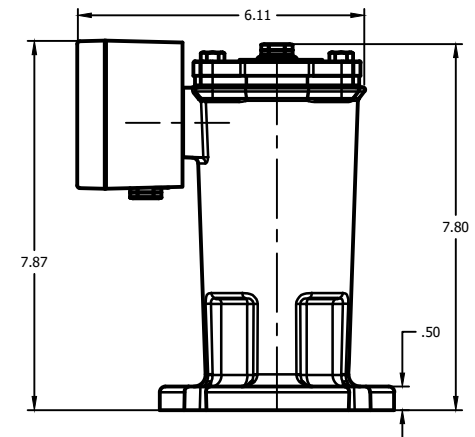
THREAD MOUNT



FLANGE MOUNT



TERMINAL BOX WITH FLANGE



QUALITROL.

DIMENSIONS AND TOLERANCES IN ACCORDANCE WITH ASME Y14.5M-1994

PH. (585) 586-1515
FAX (585) 377-0220

1385 FAIRPORT ROAD
FAIRPORT, NY 14450

FORM 0-473 REV. F 04/06/06

TITLE: **RAPID PRESSURE RISE RELAY
OIL AND GAS USE**

MODEL NO. **900/910 RPRR SERIES**

LET	DATE	ALTERATION	C.N.
-	3/3/20	PRELIMINARY	39944