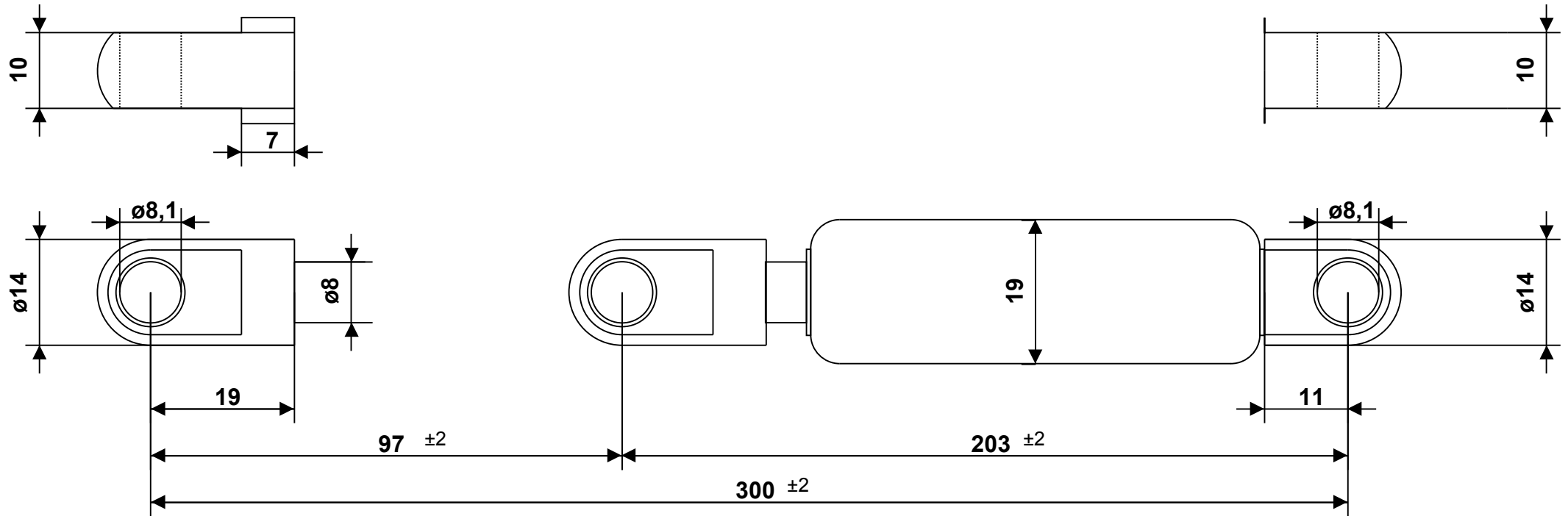


Hahn Part Number: 28-00POL
 G 08 19 0100 1 0300 AU19 AB11 00600N /4

Usable stroke less than nominal stroke



Intended for internal use and customer / Tolerance of ext. length: +/- 2mm - Dimensions without tolerance: per DIN ISO 2768-1 -c (ISO 2768 -c) - For Information Only
 Force tolerance: F1 >= 1000N: +/- 5%; < 1000N: +/- 10%, min.: +/- 10N, max.: +/- 50N - Unregistered Copy, Print-out or file not subject to modification service.
 End fitting orientation is random and not represented by drawing unless specified - Observe disposal instructions - Not true to scale



Please note our technical instructions

Assembly/storing with piston rod down

20. Jan 2025

Auto-Printservice

No opening-no heating-high pressure

Made in Germany

Part

Dimension

Material / Surface

Fitting

Progr.:27,00 %

Drawing owned by Hahn Gasfedern GmbH

Piston rod

Ø8mm

Stahl, hartverchromt

AU19 M8 Ø8.1 t=10

info@hahn-gasfedern.de

Cylinder

Ø19mm

Stahl,schwarz

AB11 Ø8,1 t=10

www.hahn-gasfedern.de

Configuration ID : 10063106-