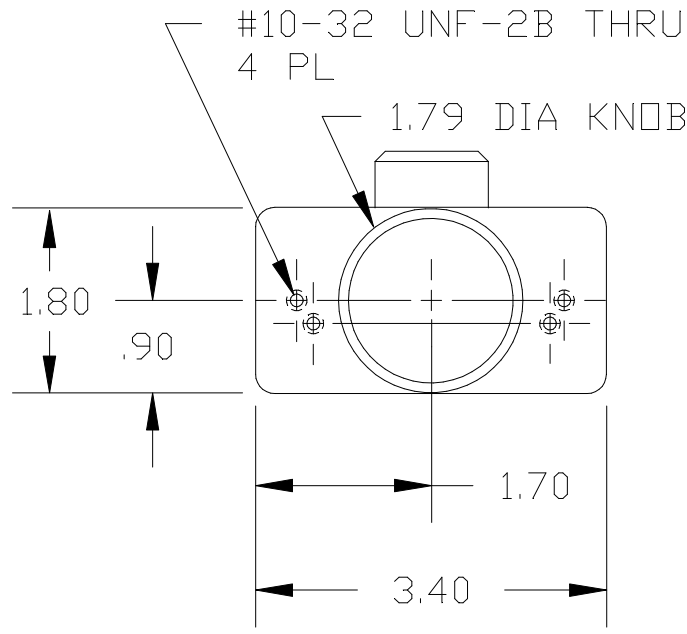


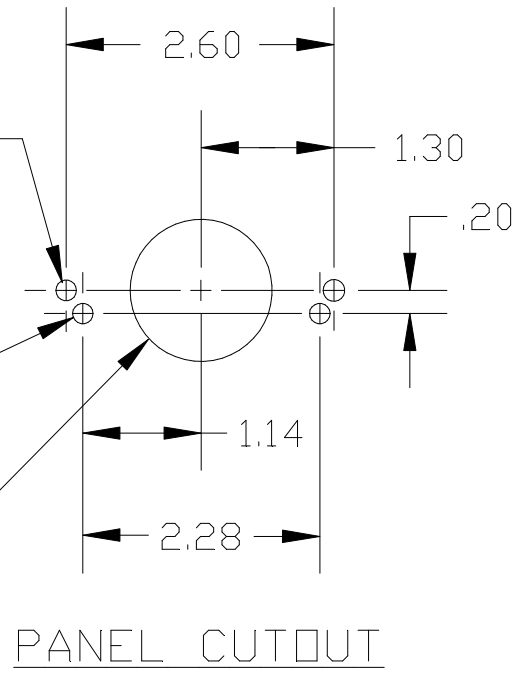
REV.	DESCRIPTION	DATE
A	RESISTORS WERE: 470 OHM	03-05-91
JCH	POT WAS: 1K OHM	



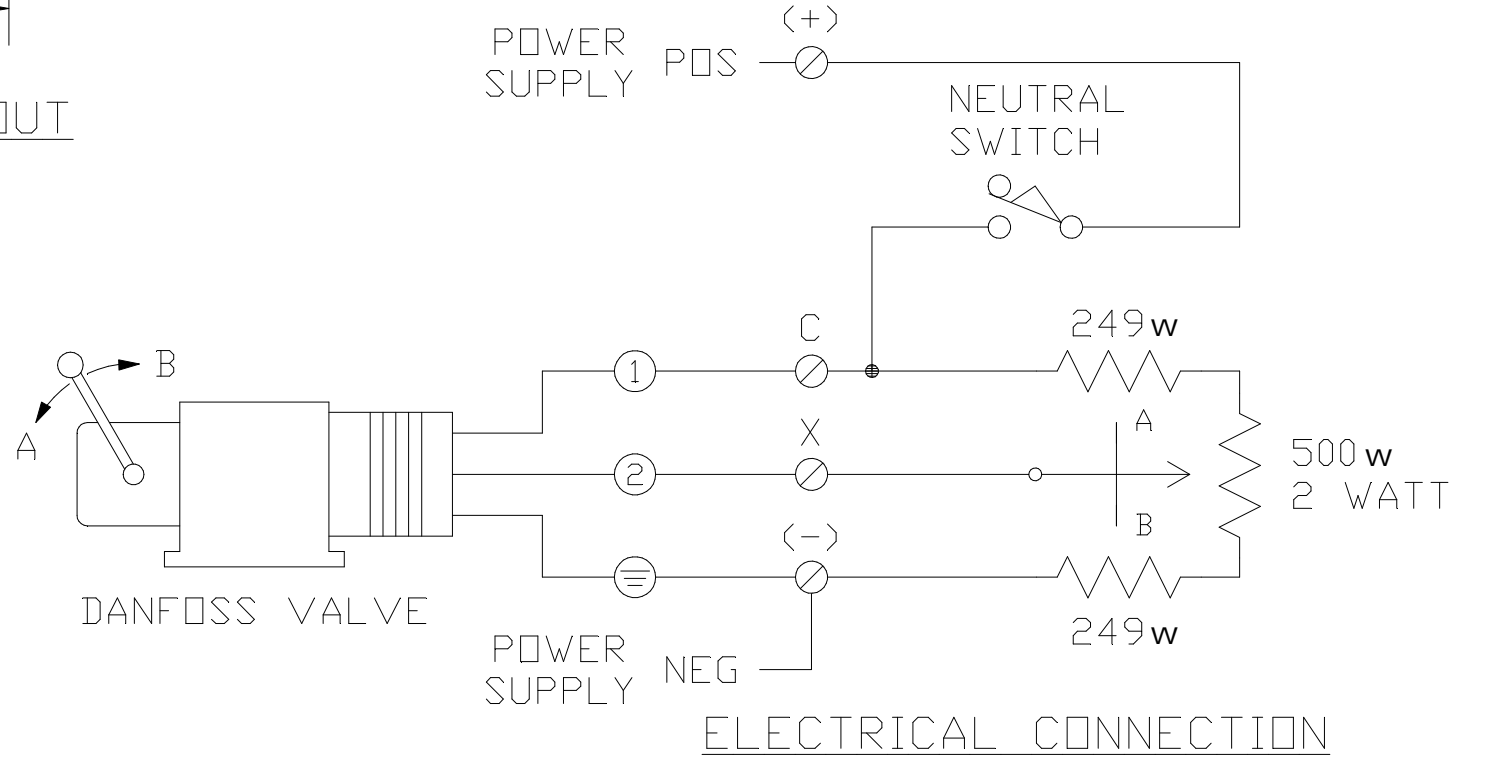
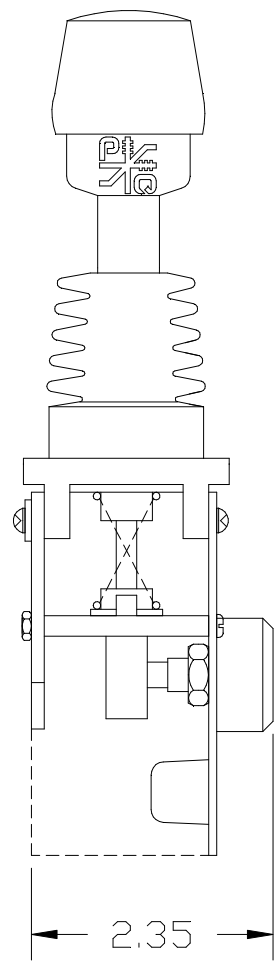
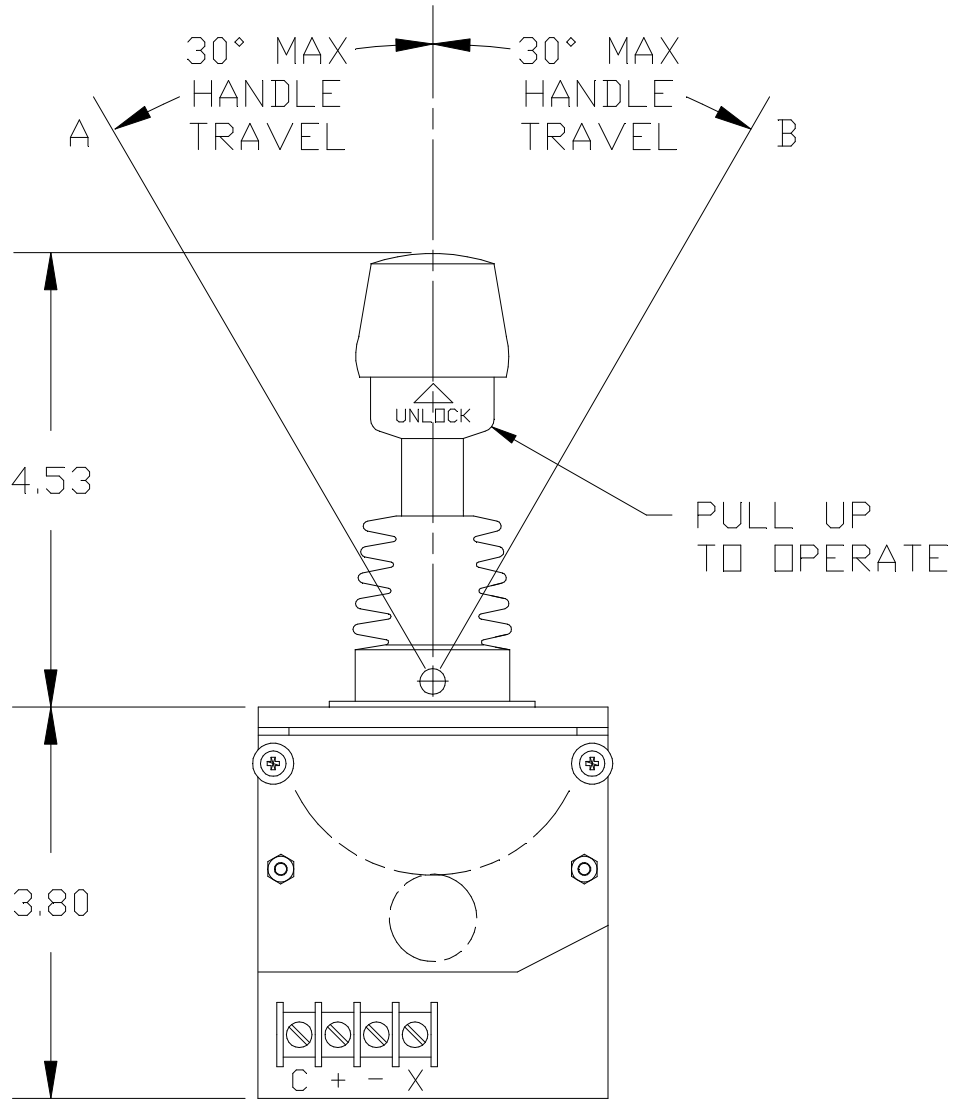
.21 DIA THRU RECOMMENDED MOUNTING HOLE - 2 PL

.21 DIA THRU OPTIONAL MOUNTING HOLE - 2 PL

1.44 DIA THRU



PANEL CUTOUT



NOTES: 1) CONTROL HANDLE IS SPRUNG TO CENTER POSITION.  
 2) SLIDE LOCK IS SPRUNG TO LOCKED POSITION.  
 3) COMMAND SIGNAL SWING:  
 HANDLE CENTERED - 50% OF V SUPPLY.  
 FULL DEFLECTION B - 25% OF V SUPPLY.  
 FULL DEFLECTION A - 75% OF V SUPPLY.

<b>WARNING:</b> P-Q Controls, Inc. products are intended as general purpose switches. They are NOT safety devices and as with any general purpose devices, malfunctions may occur. If P-Q products are used to initiate an operation where false operation could be dangerous, POINT-OF-OPERATION GUARDING DEVICES must be installed and maintained to meet all appropriate OSHA and ANSI machine safety standards. P-Q Controls, Inc. shall not accept responsibility for installation, application or safety of systems.	P-Q Controls, Inc. 95 Dolphin Rd. Bristol, CT 06010 PHONE: (860) 583-6994 FAX: (860) 583-6011	DWG. NO. B-06609	REV. A
		SHEET	SCALE 1:1
<b>M115-1030 INSTALLATION DWG</b> <b>DANFOSS</b>			
DRAFTSMAN JCH	CHECK	PROJECT ENGINEER	DATE 01-05-91