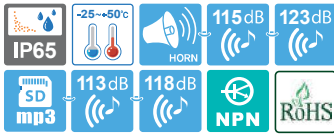


SMP series

Self Stand Multi-Functional Electric Horns

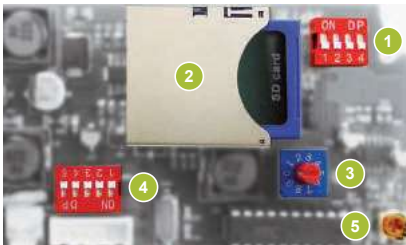


123dB



SMP35/ SMP50

Channel Input Type of Multifunctional Product



- 1 Switch for sound pattern selection
- 2 SDcard slot for MP3
- 3 Switch for play mode selection
- 4 Switch for channel selection
- 5 Switch for volume adjustment

Switch for Sound

- Switch No1. allows choosing one option between pre-recorded sound and SDcard



Bit input mode selection from 6 groups

- 001: WS(5 Warning sounds)
- 010: WP(5 Special warning sounds 1st group)
- 011: VM(5 Melodies)
- 100: WA(5 Alarms)
- 101: WO(5 Special warning sounds 2nd group)
- 110: VN(5 Special warning sounds 3rd group)

Selection between pre-recorded sound mode and SDcard sound mode

- 0: pre-recorded sound mode
- 1: SDcard sound mode

- 30 pre-recorded sounds offered (5 warning sounds, 5 special warning sounds 1st group, 5 melodies, 5 alarms, 5 special warning sounds 2nd group, 5 special warning sounds 3rd group)
- External MP3 sound support (SDcard)
- Binary input : 30 Channels
- Bit input : 5 Channels (6 sound groups)
- A multi-functional product that can use an SDcard for MP3 playback
- Details on how to setup the multi-functional speakerphone are on page 140

Common Specifications(SMP35/ SMP50)

- Can prevent cross talk of different voice environments by selecting an audio signal fit for the specific environment and condition
- 30 pre-recorded sound type and supports Binary input mode and Bit input mode
- Binary input mode can playback 30 sound tones by using sound tone select switch
- Volume adjustment and sound selection switches located inside the unit. SDcard in the unit offers convenient operation
- SDcard type allows the user to input the proper voice messages for specific operating conditions
- Support MP3 file and user can input user defined sound
- Tightly sealed structure that blocks dust with IP65 protection rating- suitable for outdoor installation
- Materials : Housing-ABS, Resonance chamber-ABS, Bracket-STS
- Ambient operating temperature : -25°C to +50°C
- Protection rating: IP65
- Certificates : CE Compliant
- Compliant with RoHS directive

SMP35 Multifunctional Self Stand Type Electric Signal Horn(Supports Warning Sound/ MP3)

- Volume : Max 115dB at 1m

Model number	Voltage	Current	Built-in Sound and dB	Certificate	Weight	Weight
SMP35	DC12V-24V	Max. 1.720A	• Warning : 115dB • MP3 : 113dB	Bit Input : 5Ch Binary Input : 30Ch	CE	0.76kg
	AC110V-220V	Max. 0.325A				1.03kg

※ DC type model has a free-voltage range of 10V-30V.

※ AC type model has a free-voltage range of 100V-240V.

SMP50 Multifunctional Self Stand Type Electric Signal Horn(Supports Warning Sound/ MP3)

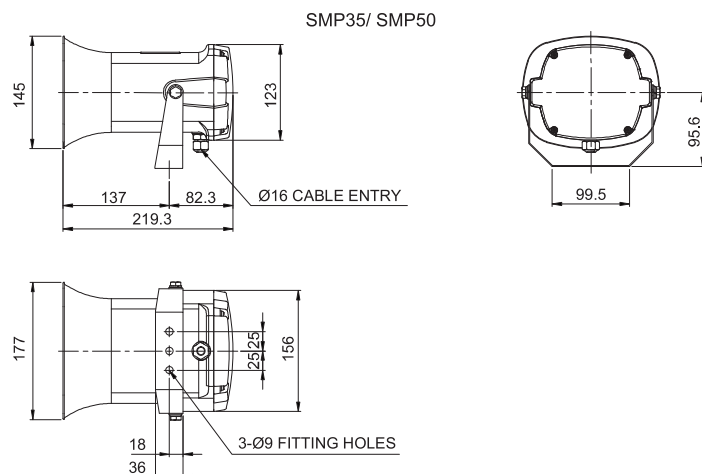
- Powerful 50W unit can generate high signal sound
- Volume : Max 123dB at 1m

Model number	Voltage	Current	Built-in Sound and dB	Certificate	Weight	Weight
SMP50	DC12V-24V	Max. 2.630A	• Warning : 123dB • MP3 : 118dB	Bit Input : 5Ch Binary Input : 30Ch	CE	0.95kg
	AC110V-220V	Max. 0.560A				1.23kg

※ AC type model has a free-voltage range of 100V-240V.

Technical Diagram

(Units : mm)



SMP series

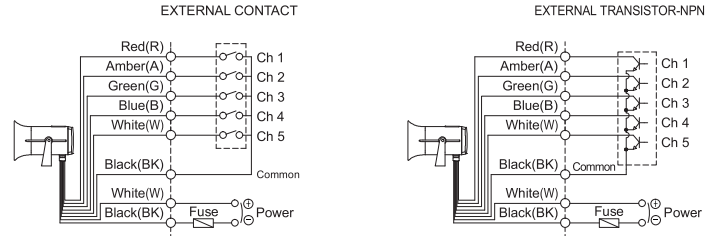
Self Stand Multi-Functional Electric Horns

Category	Ch	Sound
WS 5 Warning Sounds	Ch1	Fire.A-ANG
	Ch2	Emergency WA-U(Yelp)
	Ch3	Ambulance PI-PO(Hi-low)
	Ch4	Machinery Fault
	Ch5	High Expansion
WP 5 Special Warning Sounds (1st group)	Ch1	Fire.A-ANG
	Ch2	Abandon Alarm
	Ch3	Machinery Fault
	Ch4	High Expansion
	Ch5	7 Short PI. / 1 Long
WM 5 Melodies	Ch1	Sweet Home
	Ch2	For Elise
	Ch3	Cuckoo's Waltz
	Ch4	Piano Sonata
	Ch5	Turkish March
WA 5 Alarms	Ch1	Beep Intermittent
	Ch2	Door Chime
	Ch3	Phone Ring
	Ch4	PI.PI.PI Short
	Ch5	Tripping Beat
WO 5 Special Warning Sounds (2nd group)	Ch1	Phone Ring
	Ch2	Police
	Ch3	Emergency
	Ch4	Phone Ring 2
	Ch5	911 siren
WN 5 Special Warning Sounds (3rd group)	Ch1	Do-ong Do-ong
	Ch2	Di- Di-
	Ch3	PI.PI.PI long
	Ch4	Li long Li long
	Ch5	Siren

Sound Selection and Wiring Instructions

- Standard : Select using the switch inside of the unit
- Customized wiring in case of external contact or transistor wiring type as sound tone selector (Model name : -LC)

SMP35/ SMP50-DC/AC



- DC type : Black output is negative(-)
- Channel selection, 5 sounds played for Bit input and 30 sound played for binary input
- ※ Please refer to page 28 for detailed channel input instructions. (Wiring instruction is substituted for channel selection switch.)

Ordering Specifications

SMP50	-	110/220	-	LC
[Model number]		[Voltage]		[Sound selection]
<ul style="list-style-type: none"> • SMP35 • SMP50 		<ul style="list-style-type: none"> • 12/24-DC12V-24V • 110/220-AC110V-220V 		<ul style="list-style-type: none"> • Standard - Built-in Switch • LC - External contact

SN-1

Small Size Electric Horn



100dB



SN-1

Ordering Specification

SN-1	-	12
[Model number]		[Voltage]
<ul style="list-style-type: none"> • SN-1 		<ul style="list-style-type: none"> • 12-DC12V • 24-DC24V

SN-1 Max 100dB

- 1 warning sound and cost effective model for DC only

Technical Diagram

(Units : mm)

