



Rubber joints – SZ-GG



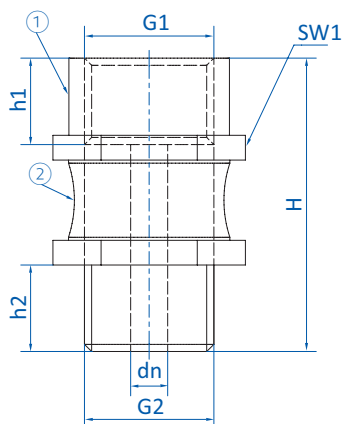
Product notes

- > Universal articulating mount for vacuum cups allows compensation for sloping product surfaces
- > Angle compensation for sagging products, such as sheet goods
- > Automatic reset of the vacuum cup to normal position
- > Version: Rubber-metal connection with vacuum channel

Technical data

Item no.	Thread	Pivoting range S [°]	Lifting force [N]	Ambient air temperature [°C (°F)]	Weight [g]
270.771	G1/4	2x12	750	0 - 70 (32 - 158)	30
270.203	G1/2	2x12	3,000	0 - 70 (32 - 158)	100

Dimensions



① = Steel ② = Rubber

Item no.	Ø dn [mm]	G1	G2	H [mm]	h1 [mm]	h2 [mm]	SW1
270.771	3	G1/4	G1/4	39	12	12	17
270.203	6	G1/2	G1/2	47.5	14	14	27