

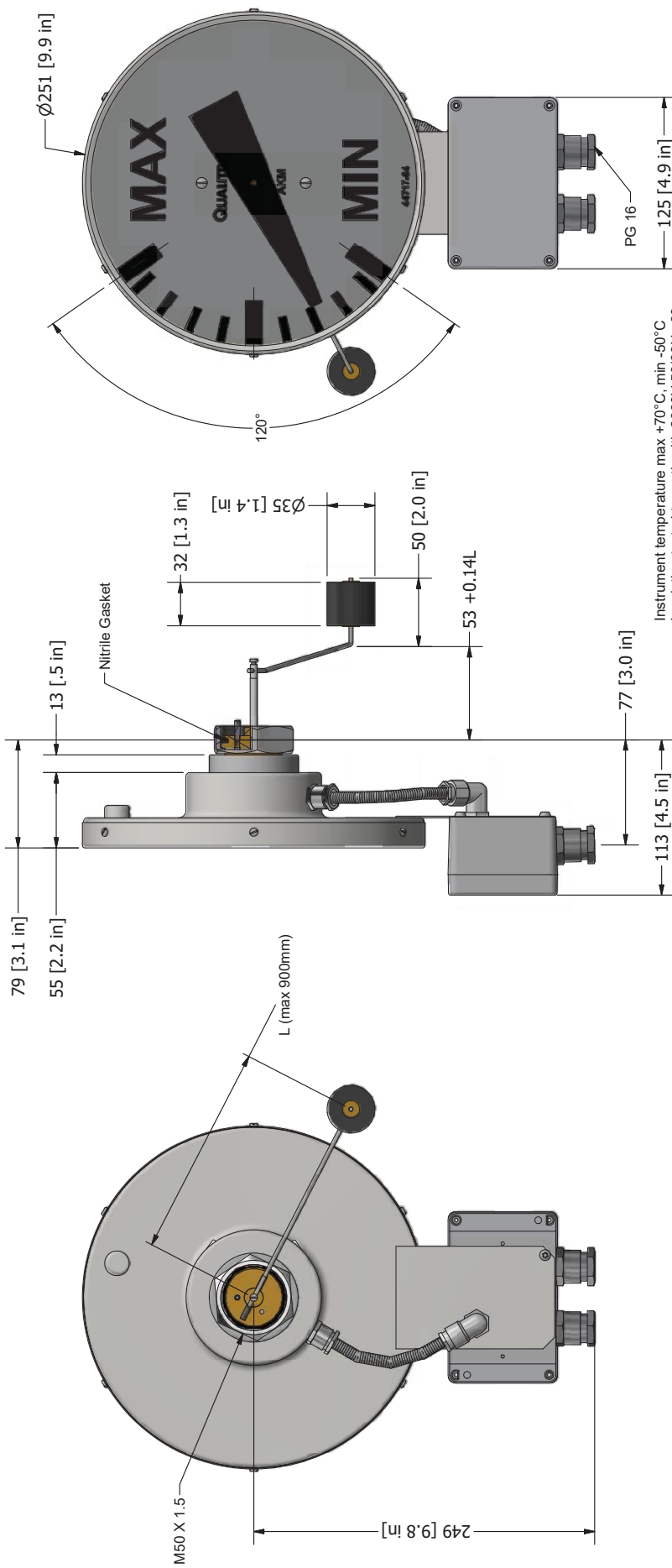
DO NOT SCALE PRINT

DIMENSIONS AND TOLERANCES IN ACCORDANCE WITH ASME Y14.5M-1984

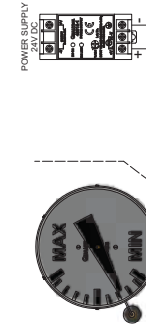
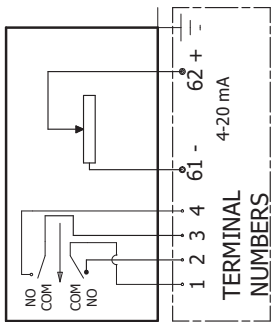


WAS NO.

DRAWING NO. 44765-2



Instrument temperature max +70°C, min -50°C
 Insulation tested to earth with 2000V 50/60Hz 60s
 Protection class IP54 DIN 40050
 Output range 4-20mA
 Contact rating 250V, 5A, AC / 125V, 0.3A, DC
 Dial colors black characters on silvergray background
 Rotating float for rubber sack



DIMENSIONS mm [in]

NOTICE
 THIS DRAWING IS THE PROPERTY OF QUALITROL COMPANY, LLC. IT IS TO BE USED TO FACILITATE THE PURPOSE FOR WHICH IT WAS INTENDED AND NOT BE REPRODUCED, COPIED OR OTHERWISE DISPOSED OF, WITHOUT THE WRITTEN PERMISSION OF QUALITROL COMPANY, LLC. INFORMATION RELATIVE TO THE MAKING OF DRAWINGS, PARTS, APPARATUS OR PARTS THEREOF, EXCEPT BY WRITTEN ORDER FROM QUALITROL COMPANY, LLC.

TOLERANCE UNLESS NOTED,
 (DIM) IS REF.:
 2 P.L.C. DECIMAL ± .02 [.5]
 3 P.L.C. DECIMAL ± .005 [.13]
 ANGULAR ± 2 DEG.

6L04
 ON LOWERING LEVEL CONTACTS 1 AND 2 CLOSE AT "MIN".
 OUTPUT @ MIN = 4 mA
 ON RISING LEVEL CONTACTS 3 AND 4 CLOSE AT "MAX".
 OUTPUT @ MAX = 20 mA

SHEET 2 FOR ENGINEERING USE ONLY

TITLE:	Oil Level Sensor 4-20mA	
MATERIAL:	---	
38038	6/29/18	ADD NEW BKT-195-1, PCB-891-1
31821	10/7/13	DIAL 44717-64 WAS 44717
28809	10-15-10	RELEASED
C.N.	ALTERATION	
DATE	DRAWN	DATE
10/18/2010	D. COLEMAN	9/2/2010
10/18/2010	CHECK	JAV
10/18/2010	APPD	JAV
SCALE	NTS	SCALE
1 OF 2	DRAWING NO.	44765-2

FORM 0-467 REV. E 04/06/06
QUALITROL
 C O M P A N Y
 FAIRPORT, NEW YORK

