



TU 3000-125

TU 3000-125

The TU line constitutes our standard line of gas springs.

The sizes 3000 conform to the ISO 11901 standard for gas springs.

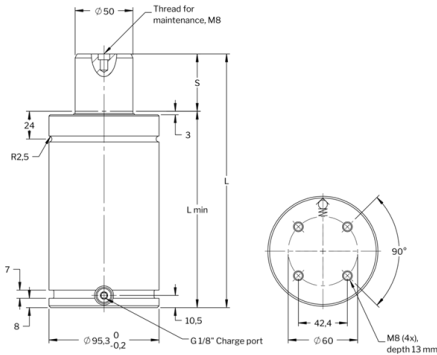


Contact us

Download CAD

Imperial

Diagram / specifications section



L min	Minimum Length (in)	9.65
S	Stroke Length (in)	4.92
L	Total Length (in)	14.57

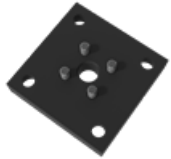
Item specifications

End Force At Full Stroke (LBF)	10570	Force Increase By Temperature Percent Per ($^{\circ}$ F)	0.17
Gas Volume (CuF)	0.02436712	Initial Force at max. pressure (lbf)	6750
Max Charging Pressure (Psi)	2175	Max Piston Rod Velocity (FtMin)	314.96
Max. Operating Temperature (F)	176	Min Charging Pressure (PSI)	362
Min. Operating Temperature (F)	32	Recommended Max Strokes Per Minute	~15-40
Weight (lb)	21.186		

Accessories ^

Application possibilities ∨

Recommended mounts



[MP-3000](#)



[FC-3000](#)



[HMF-3000](#)



[FCS-3000](#)



[FFC-3000](#)

Additional mounts

[HM-3000](#)

[NMP-4200](#)

[FAC-3000](#)

[S-3000](#)

[SA-3000](#)

[RM-3000](#)

[FSS-3000](#)

[FFL-3000](#)

[FSL-3000](#)



L-3000

FCSC-3000



K-3000

Similar items



TUS 3000-125

TUS 3000-125



LCF 3000-125

LCF 3000-125



DS 3000-125

DS 3000-125



TL 3000-125

TL 3000-125



TL 3000-150

TL 3000-150



TL 3000-138

TL 3000-138



TU 3000-160

TU 3000-160
