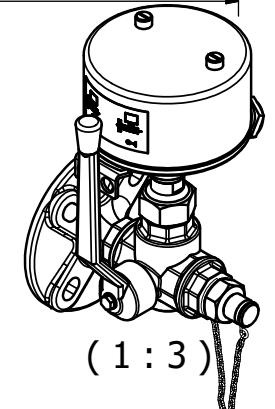
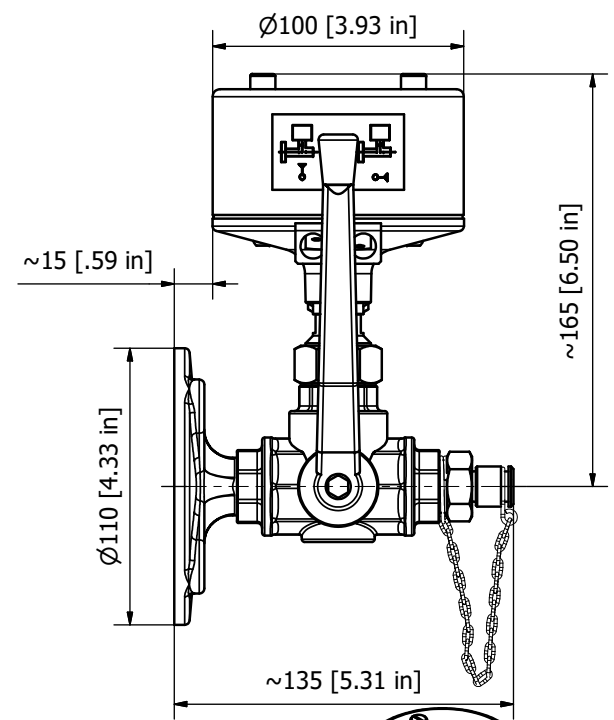
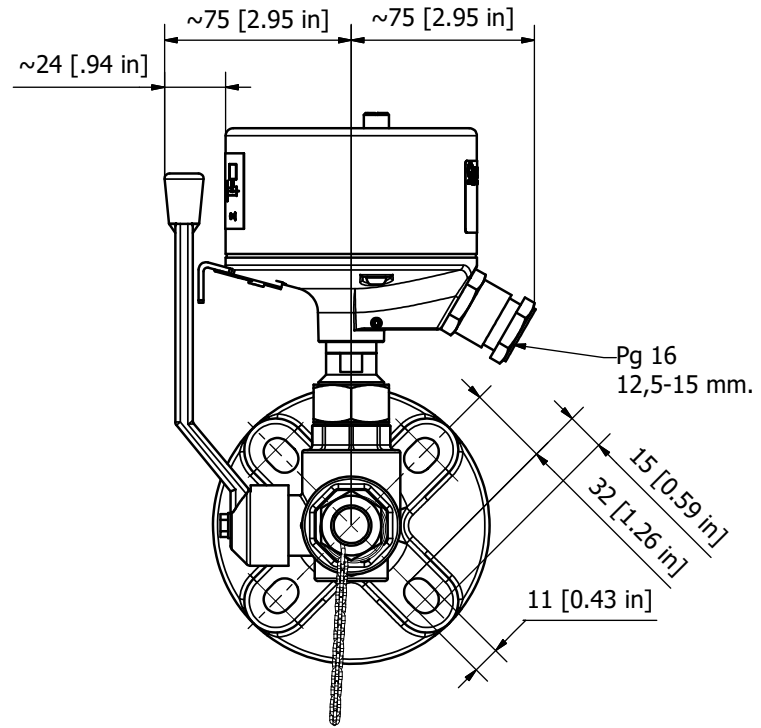
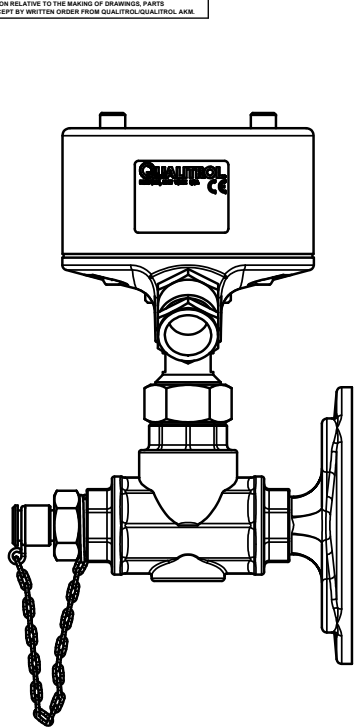


NOTICE
 THIS DRAWING IS THE PROPERTY OF QUALITROL/QUALITROL AKM AND IS LOANED ONLY ON THE CONDITION THAT IT WILL BE USED TO FACILITATE THE PURPOSE FOR WHICH INTENDED AND NOT BE REPRODUCED, COPIED OR OTHERWISE DISPOSED OF, AND IS NOT TO BE USED IN WHOLE OR PART FOR FURNISHING INFORMATION RELATIVE TO THE MAKING OF DRAWINGS, PARTS, APPARATUS OR PARTS THEREOF, EXCEPT BY WRITTEN ORDER FROM QUALITROL/QUALITROL AKM.

MODEL NO. 35603



TYPE NUMBER:
 SWITCHING RANGE:
 SWITCHING ACCURACY:
 SWITCHING DIFFERENTIAL:
 SWITCH TYPES:
 SWITCH RATING:

TECHINCAL DATA
 AKM-35603-ALARM 1 / ALARM 2 / ALARM 3* (EX. AKM-35603-150/150/150)
 150 kPa (IN TYPE NO.)
 ±3 kPa
 MAX. 5 kPa
 MICRO SWITCHES
 5A AT 125 VAC RESISTIVE
 3A AT 250 VAC RESISTIVE
 0,8A AT 110 VDC RESISTIVE
 0,2A AT 110 VDC, L/R = 40ms
 0,6A AT 125 VDC RESISTIVE
 0,15A AT 125 VDC, L/R = 40ms
 0,4A AT 220 VDC RESISTIVE
 0,1A AT 220 VDC, L/R = 40ms

AMBIENT TEMPERATURE:
 PRESSURE:

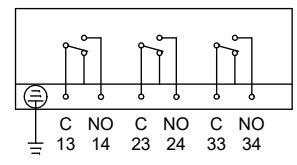
MAX +80°C, MIN -40°C

TYPE	ALARM SET POINT
35603-50/50/50	50 kPa (7,2 psi)
35603-100/100/100	100 kPa (14,5 psi)
35603-150/150/150	150 kPa (21,7 psi)
35603-200/200/200	200 kPa (29,0 psi)

DIELECTRIC STRENGTH:
 PROTECTION CLASS:
 WETTED MATERIALS:

2000 VAC FOR 60s, ALL CONTACTS TO GROUND
 IP 55
 HOUSING AND COVER: POWDER COATED ALUMINIUM
 BELLOW S: PHOSPHOR BRONZE
 ACTUATOR PLATE: STAINLESS STEEL

NON PRESSURIZED STATE



-	5/31/19	RELEASED ALL MODEL TYPES	38895
-	7-15-14	ALL MODELS: CORRECTED PSI SETPOINTS	32643
2	08/024	LABEL ADDED	01183
LET	DATE	ALTERATION	C.N.

TITLE: PRESSURE SWITCH
 MODEL NO. 35603

QUALITROL AKM
 COMPANY LLC
 AB Qualitrol AKM
 Flygfältsgatan 6C
 SE - 128 30 Skarpnäck
 Sweden
 Phone: +46 8 447 54 50
 Fax: +46 8 604 68 10

Qualitrol and Qualitrol AKM are ISO 9001 system certified companies. Information subject to change without notice.