

**EBHP2**

**SAE A - EAGLE-BODEN HYDRAULIC GEAR PUMP**

ORDERING INFORMATION



SERIES FRONT COVER ROTATION DISPLACEMENT in cc/REV SHAFT PORTS PORTS POSITION SEALS OPTIONS

D	Clockwise
S	Counter clockwise
R	Reversible

DISPLACEMENT in cc/REV	DISPLACEMENT in cc/REV	
	CC	CU.IN.
3	0.18	
4	0.24	
6	0.37	
8	0.49	
10	0.61	
12	0.73	
14	0.85	
16	0.98	
18	1.10	
20	1.22	
22	1.34	
25	1.53	
28	1.71	
30	1.83	

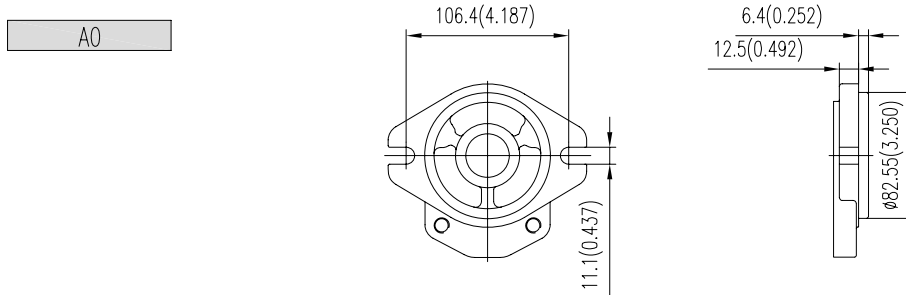
C0	5/8" KEYED
C1	3/4" KEYED
S0	5/8"-9T SPLINE
S1	3/4"-11 SPLINE

U0
U1
R0
R1
R2
F2
F3
F4

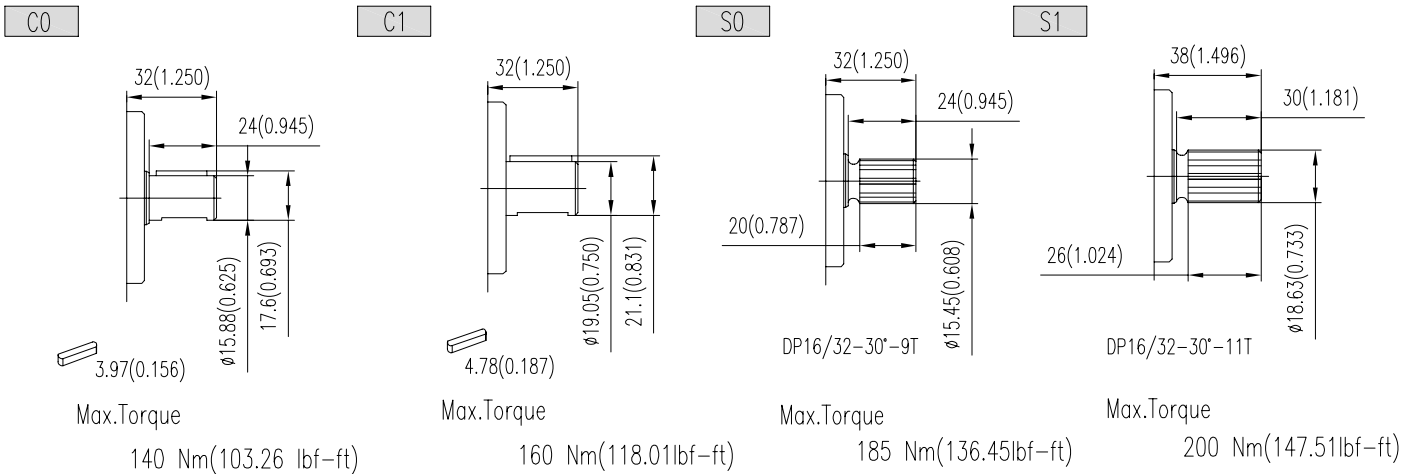
B
C
D
R

V
H
T
N

FRONT COVER



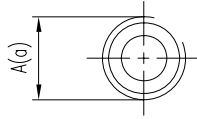
SHAFT



# EBHP2

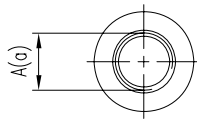
## PORTS

### R0/R1/R2



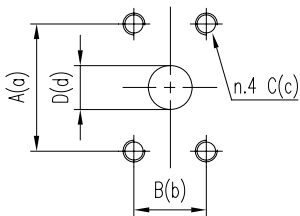
TYPE (NPT)	PORTS CODE	INLET	OUTLET
		A	a
EBHP2...3 ÷ EBHP2...12	R0	PT1/2	PT1/2
EBHP2...14 ÷ EBHP2...25	R1	PT3/4	PT1/2
EBHP2...28 ÷ EBHP2...30	R2	PT1/2	PT3/4

### U0/U1



TYPE	PORTS CODE	INLET	OUTLET
		A	a
EBHP2...3 ÷ EBHP2...28	U0	1 1/16-12 UNF / SAE-12	7/8-14 UNF / SAE-10
EBHP2...30	U1	1 5/16-12 UNF / SAE-16	7/8-14 UNF / SAE-10

### F2/F3/F4



TYPE (4 BOLTS FLANGE)	PORTS CODE	INLET					OUTLET				
		A	B	C	CODE 61	D	a	b	c	CODE 61	d
EBHP2...3 ÷ EBHP2...16	F2	38.1	17.48	5/16-18UNC	1/2	13	38.1	17.48	5/16-18UNC	1/2	13
EBHP2...18 ÷ EBHP2...20	F3	47.63	22.23	3/8-16UNC	3/4	20	38.1	17.48	5/16-18UNC	1/2	13
EBHP2...22 ÷ EBHP2...30	F4	47.63	22.23	3/8-16UNC	3/4	20	47.63	22.23	3/8-16UNC	3/4	20

## PORTS POSITION

Omit-Side inlet and side outlet

B-Back inlet and front outlet

C-Back inlet and side outlet

D-Side inlet and front outlet

R-Back inlet and back outlet

## SEALS

Omit-Range between -10 °C and +80 °C inlet pressure up to max. 3 bar(43.5psi) absolute.

V-Version suitable for fluid at hi-temperatures, range between -10 °C and +120 °C.

H-Version suitable for fluid at low-temperatures, range between -40 °C and +80 °C.

T-Version suitable for inlet pressure up to max. 3 bar(43.5psi) and 6 bar(87.0psi) absolute.

N-Version suitable for inlet pressure up to max. 3 bar(43.5psi) and 10 bar(145.0psi) absolute.

**EBHP2A0**



**SAE A**

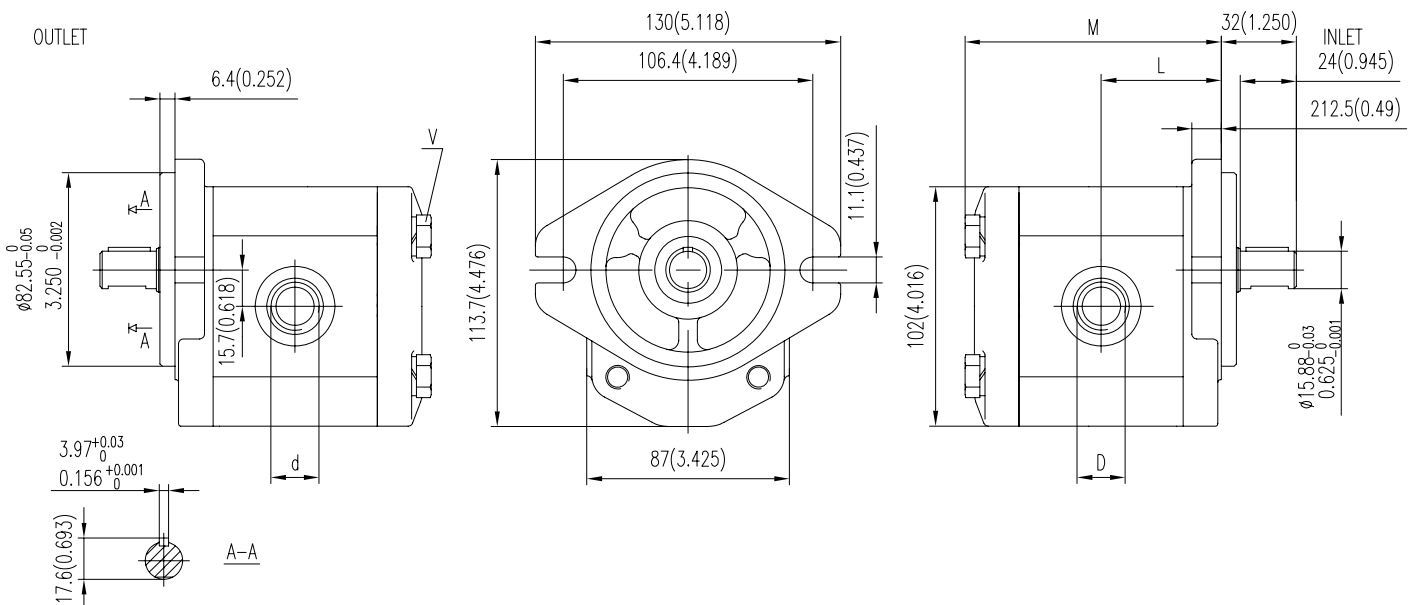
Mounting flange material	V
	Screws tightening torque Nm
Aluminum	40...45(29.50 lbf-ft...33.19 lbf-ft)
Cast iron	70...75(51.63 lbf-ft...55.32lbf-ft)

High pressure gear pump.

Pressure balanced for high efficiency and long life

Available with 5/8" and 3/4" keyed or splined shaft.

SAE ports are standard, NPT and 4 bolt flange code 61 ports available.



Displacement		Max pressure						Max. speed (r/min)	Min. speed (r/min)	Dimensions					
cm <sup>3</sup> /rev	cu.in/rev	P1		P2		P3				M	L		D		d
		bar	psi	bar	psi	bar	psi		mm	inches	mm	inches			
3	0.18	270	3916	285	4133	300	4351	4000	800	91.1	3.587	43.6	1.717	1 1/16-12UNF	7/8-14UNF
4	0.24	270	3916	285	4133	300	4351	4000	600	92.7	3.650	44.4	1.748	1 1/16-12UNF	7/8-14UNF
6	0.37	270	3916	285	4133	300	4351	4000	600	96	3.780	46	1.811	1 1/16-12UNF	7/8-14UNF
8	0.49	270	3916	285	4133	300	4351	3500	500	99.3	3.909	47.7	1.878	1 1/16-12UNF	7/8-14UNF
10	0.61	270	3916	285	4133	300	4351	3000	500	102.6	4.039	49.3	1.941	1 1/16-12UNF	7/8-14UNF
12	0.73	270	3916	285	4133	300	4351	3000	500	105.9	4.169	51	2.008	1 1/16-12UNF	7/8-14UNF
14	0.85	250	3626	265	3843	280	4061	4000	500	109.3	4.303	52.7	2.075	1 1/16-12UNF	7/8-14UNF
16	0.98	250	3626	265	3843	280	4061	4000	500	112.7	4.437	54.4	2.141	1 1/16-12UNF	7/8-14UNF
18	1.10	250	3626	265	3843	280	4061	3600	400	116	4.567	56	2.205	1 1/16-12UNF	7/8-14UNF
20	1.22	220	3190	235	3408	250	3625	3200	400	119.3	4.697	57.7	2.272	1 1/16-12UNF	7/8-14UNF
22	1.34	220	3190	235	3408	250	3625	3000	400	122.6	4.827	59.3	2.335	1 1/16-12UNF	7/8-14UNF
25	1.53	200	2900	215	3100	230	3336	3000	400	127.6	5.024	61.8	2.433	1 1/16-12UNF	7/8-14UNF
28	1.71	180	2611	190	2756	200	2900	2500	400	132.6	5.220	64.3	2.531	1 1/16-12UNF	7/8-14UNF
30	1.83	160	2320	170	2466	180	2611	2500	400	135.9	5.350	66	2.598	1 5/16-12UNF	7/8-14UNF