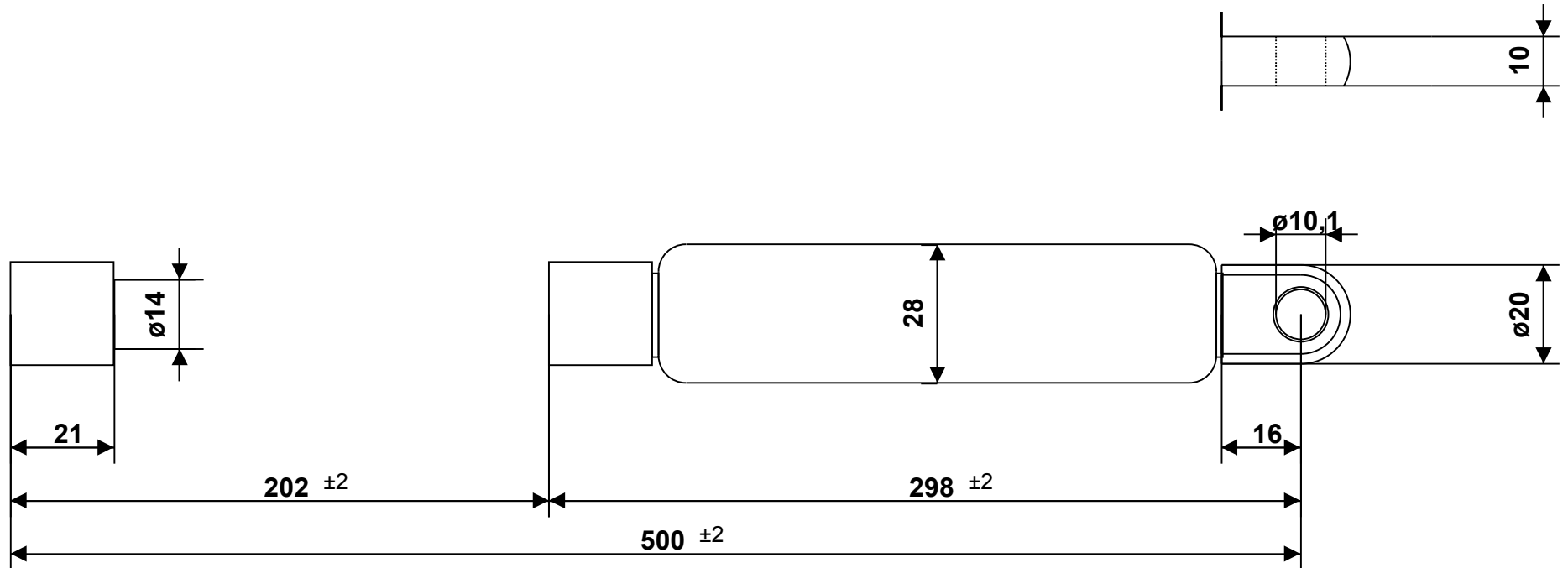


**Hahn Part Number: 28-0259F**  
**G 14 28 0200 1 0500 AK21 AB16 01700N**



Intended for internal use and customer / Tolerance of ext. length: +/- 2mm - Dimensions without tolerance: per DIN ISO 2768-1 -c (ISO 2768 -c) - For Information Only  
 Force tolerance: F1 >= 1000N: +/- 5%; < 1000N: +/- 10%, min.: +/- 10N, max.: +/- 50N - Unregistered Copy, Print-out or file not subject to modification service.  
 End fitting orientation is random and not represented by drawing unless specified - Observe disposal instructions - Not true to scale



Please note our technical instructions

Assembly/storing with piston rod down

09. May 2025

Auto-Printservice

No opening-no heating-high pressure

Made in Germany

**Part**

**Dimension**

**Material / Surface**

**Fitting**

**Progr.:54,90 %**

Drawing owned by Hahn Gasfedern GmbH

Piston rod

Ø14mm

Stahl, hartverchromt

AK21 M10 Ø10.1 t=18

info@hahn-gasfedern.de

Cylinder

Ø28mm

Stahl,schwarz

AB16 Ø10,1 t=10

www.hahn-gasfedern.de

Configuration ID : 10069229-