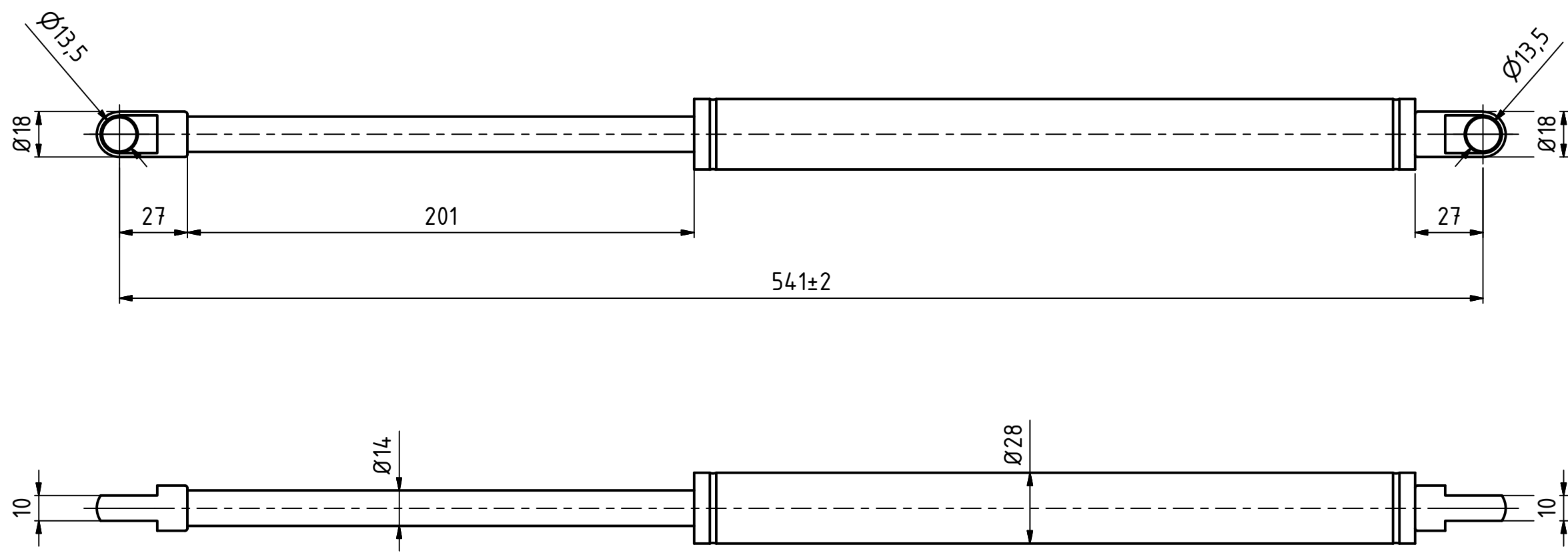



HAHN Part Number: 28-02KQC  
 G 14 28 0200 9 0541 AU27 AU27 02000N /5/Si/V4 LC-AUSFÜHRUNG



Intended for internal use and customer / Tolerance of ext. length: +/- 2mm - Dimensions without tolerance: per DIN ISO 2768-1 -c (ISO 2768 -c) - For Information Only.  
 Force tolerance: F1 >= 1000N: +/- 5%; <1000N: +/- 10%, min, +/- 10N; max. 50N - Unregistered Copy, Print-out or file not subject to modification service.  
 End fitting orientation is random and not represented by drawing unless specified - Observe disposal instructions - Not true to scale

 D. Lamberti	Please note our technical instructions			Assembly/storing with piston rod down	
	No opening-no heating-high pressure				
Made in Germany	<b>Part</b>	<b>Dimension</b>	<b>Material / Surface</b>	<b>Fitting</b>	<b>Progr.: 56.70%</b>
Drawing owned by Hahn Gasfedern GmbH	Piston rod	Ø14mm	V4a	AU27 M10 Ø13,5 t=10 V4a	
	Cylinder	Ø28mm	V4a	AU27 M10 Ø13,5 t=10 V4a	