

SESA Series

Explosion proof Signal Beacon and Electronic Sounder combinations with sound output of Max.118dB



SESALR



SESAL

PRODUCT SPECIFICATION

SESA Series

Materials Lens-Tempered glass, Filter-PC, Housing-Al, Protection cage-STSS316L, Reflector-PC, Reflector-Heat resistant ABS

Ambient operating temperature

-40°C ≤ Tamb ≤ +60°C, -40°C ≤ Tamb ≤ +55°C(KCs)

-20°C ≤ Tamb ≤ +60°C(TS)

Explosion protection rating

IECEX - Ex db IIC T6 Gb, IP66

ATEX - II 2G Ex db IIC T6 Gb, IP66

NEPSI, CCC, CCS - Ex db IIC T6 Gb, Ex tb IIIC T80°C Db

KCs - Ex d IIB+H2 IP66 T6(SESA)

Ex d IIC T6 IP66, Ex tD A21 T85°C IP66(SESAKC)

TS - Ex db IIC T6 IP66 Gb(SESAL)

Certificates IECEX, ATEX, NEPSI, CCC, KCs, CCS, CCC(F), TS

Sound volume Max.118dB at 1m(Volume adjustable)

Housing standard color MUNSELL No. 7.5BG 7/2

- Large explosion proof signal beacon and electronic sounder combinations
- A variety of light sources and sound selections to fit your sophisticated application needs
- Aluminum housing provides excellent durability
- Excellent sealed structure with IP66
- Integrated housing and terminal box model

※ Usable voltage AC120V: AC110V-120V, AC230V: AC220V-230V

SESALR Explosion Proof LED Revolving Signal Beacon & Electronic Sounder Combination

Model number	Voltage	Current	Sound pattern and volume	Certificates	Weight	Color
SESALR	DC24V	1.16A	·WS-5 Warning sounds: Max.118dB ·WP-5 Special warning sounds: Max.118dB	IECEX, ATEX	8.31kg	● R-Red
	AC120V	280mA	·WM-5 Melodies: Max.118dB ·WA-5 Alarms: Max.116dB	NEPSI, CCC	7.92kg	● A-Amber ● G-Green
	AC230V	160mA	·WV-5 Customizable voices: 110-115dB	CCS, CCC	7.92kg	● B-Blue

- Excellent omni-directional visibility with LED light collecting system and special multifaceted reflector
- Revolving speed: 120-140RPM

SESAL Explosion Proof LED Steady/Flashing Signal Beacon & Electronic Sounder Combination

Model number	Voltage	Current	Sound pattern and volume	Certificates	Weight	Color
SESAL	DC24V	1.1A	·WS-5 Warning sounds: Max.118dB ·WP-5 Special warning sounds: Max.118dB	IECEX, ATEX	8.42kg	● R-Red
	AC120V	90mA	·WM-5 Melodies: Max.118dB ·WA-5 Alarms: Max.116dB	NEPSI, CCC	9.02kg	● A-Amber ● G-Green
	AC230V	150mA	·WV-5 Customizable voices: 110-115dB	CCS, CCC	9.02kg	● B-Blue

- Long product lifetime with the application of a high intensity LED light source
- Suitable for locations where bulb replacement is inconvenient
- Flashing rate: 60-80 flashes/min(Built-in steady/flashing selection switch)

※ CCC(F) compliant: DC24V

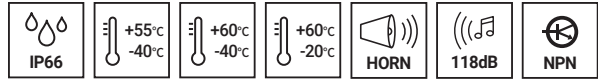
SESAS Explosion Proof Xenon Strobe Signal Beacon & Electronic Sounder Combination

Model number	Voltage	Current	Xenon lamp			Sound Pattern and Volume	Certificates	Weight	Color
			Spec	Standard	Parts no				
SESAS	DC24V	1.27A				·WS-5 Warning sounds : Max.118dB ·WP-5 Special warning sounds: Max.118dB	IECEX, ATEX	8.45kg	● R-Red
	AC120V	300mA	200V -550V	EUB0641 -1A(G)	48	·WM-5 Melodies: Max.118dB ·WA-5 Alarms: Max.116dB	NEPSI, CCC	8.86kg	● A-Amber ● G-Green
	AC230V	180mA		U type		·WV-5 Customizable voices : 110-115dB	CCS, CCC	8.86kg	● B-Blue

- Lamp connector fastening structure allows for convenient lamp replacement
- Excellent long-distance visibility with strong strobe signal diffusion
- Flashing rate: 60-80 flashes/min

※ Max.built-in volume feature is based on WS, WP-Ch1 / WM-Ch5 / WA-Ch5.

※ In case of customized WV 5 tone type, there may be difference of volume depending on user's audio file type.



SESA Explosion Proof Bulb Revolving Signal Beacon and Electronic Sounder Combination

Model number	Voltage	Current	Bulb Spec	Bulb Standard	Parts no	Sound pattern and volume	Certificates	Weight	Color
	DC24V	1.45A	24V15W	G23	15S	18	<ul style="list-style-type: none"> ·WS-5 Warning sounds : Max.118dB ·WP-5 Special warning sounds: Max.118dB 	8.57kg	● R-Red
SESA	AC120V	300mA	12V15W	G23	15S	17	<ul style="list-style-type: none"> ·WM-5 Melodies : Max.118dB ·WA-5 Alarms: Max.116dB 	9.27kg	● A-Amber ● G-Green
	AC230V	180mA	12V15W	G23	15S	17	<ul style="list-style-type: none"> ·WV-5 Customizable voices : 110-115dB 	9.27kg	● B-Blue

- Excellent diffusion effect with special multifaceted Reflector
- Revolving speed: 120-140RPM

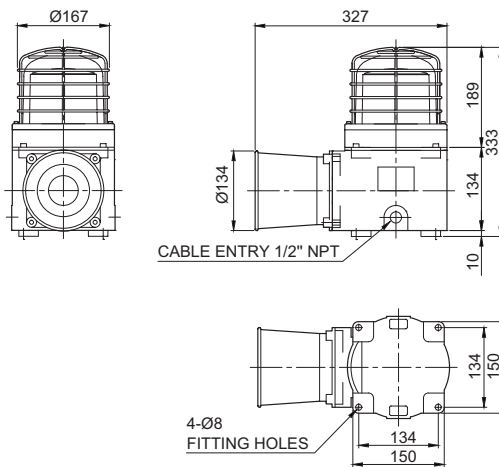


SESA

Technical Diagram

Units: mm

· SESALR / SESAL / SESAS / SESA

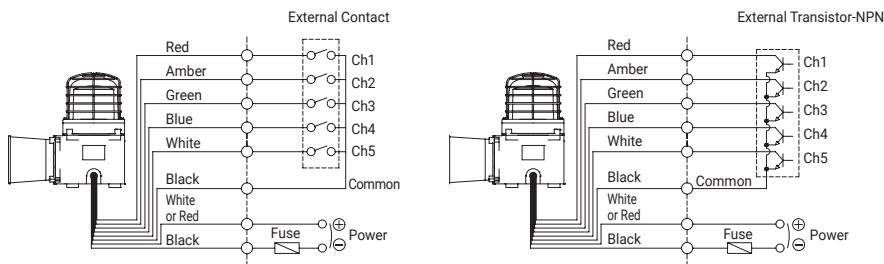


SESAS

Sound Selection Instructions and Wiring

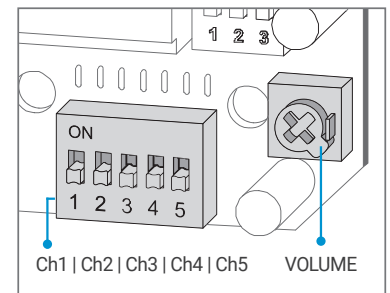
- Customization: External contact(LC)
Customization of signal line threading can be choice between external contact and transistor which can be fit for control unit.

· SESALR / SESAL / SESAS / SESA-DC/AC



- SESA, SESALR - Black output line is negative(-).

- Standard Type: Select sound using the switch inside of the unit. When you turn on the dip switch for each channel, the designated sound will be played.



Ordering Specification

SESAS	-	WS	-	230	-	R	-	IECEx
[Model number]		[Sound]		[Voltage]		[Color]		[Certificates]
SESALR		WS-Warning sounds		24-DC24V		● R-Red		IECEx
SESAL		WP-Special warning sounds		120-AC120V		● A-Amber		ATEX
SESAS		WM-Melodies		230-AC230V		● G-Green		KCs
SESA		WA-Alarms				● B-Blue		CCC(NEPSI)
		WV-Customizable voices						TS

Customization

- Explosion proof cable gland attached type available (Standard type does not come with explosion proof cable gland)
- 2 ways cable entries
- Customized cable entry (3/4" NPT, M20×1.5, M25×1.5) available
- KCs certified IIC compliant products(SPNAKC)