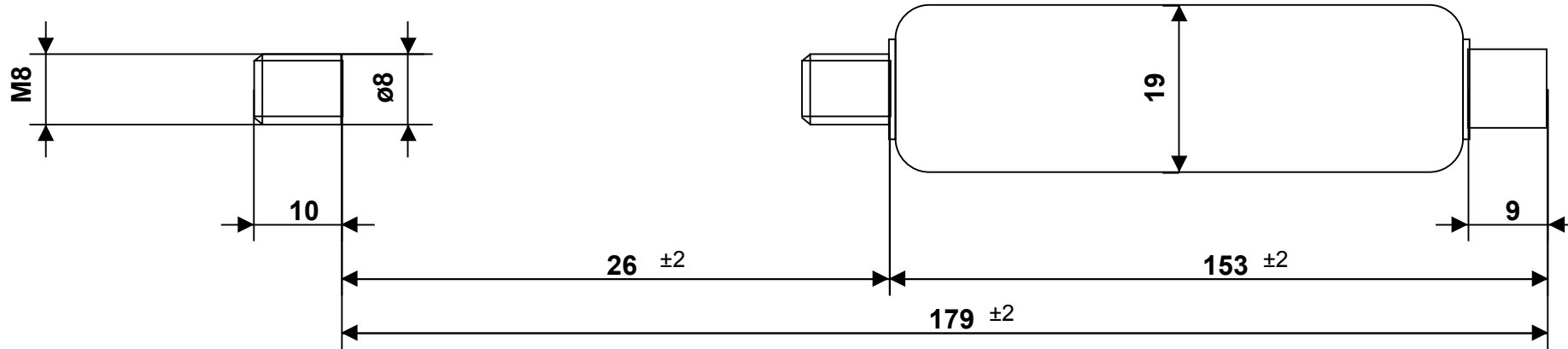


Hahn Part Number: 28-22BMA
G 08 19 0025 1 0179 GZ10 AB09 00400N



Intended for internal use and customer / Tolerance of ext. length: +/- 2mm - Dimensions without tolerance: per DIN ISO 2768-1 -c (ISO 2768 -c) - For Information Only
 Force tolerance: F1 >= 1000N: +/- 5%; < 1000N: +/- 10%, min.: +/- 10N, max.: +/- 50N - Unregistered Copy, Print-out or file not subject to modification service.
 End fitting orientation is random and not represented by drawing unless specified - Observe disposal instructions - Not true to scale



Please note our technical instructions

Assembly/storing with piston rod down

13. Oct 2025

Auto-Printservice

No opening-no heating-high pressure

Made in Germany

Part

Dimension

Material / Surface

Fitting

Progr.:6,90 %

Drawing owned by Hahn Gasfedern GmbH

Piston rod

Ø8mm

Stahl, hartverchromt

GZ10 M8x10

Cylinder

Ø19mm

Stahl,schwarz

AB09 Ø8,1 SW10 montiert

Configuration ID : 10075130-