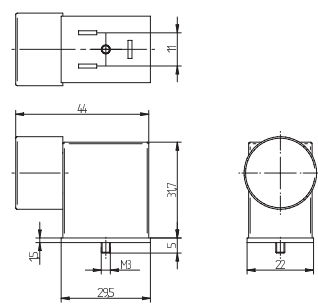
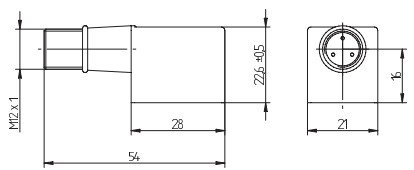
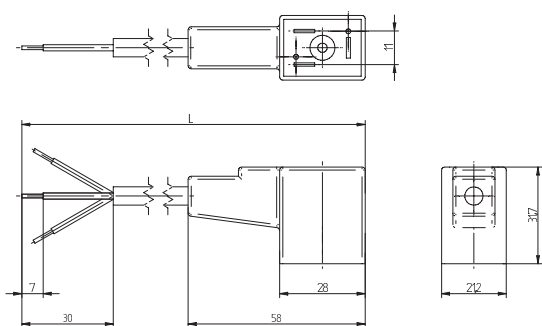
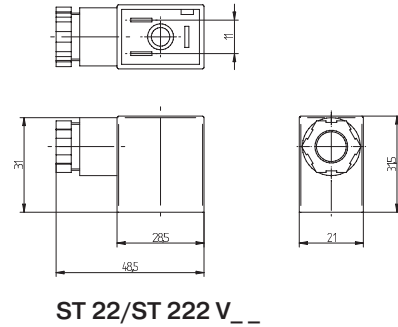


ST 22/ST 22 L 5000/ST 222 V __ L 1500 ST 22 M12/ST 22 NPTF



Connectors for coils type MA 22.

Type ST 22
Connector with black housing.
Using the enclosed flat seal, fastening screw and nut appropriately the system reaches protection class IP 65 in accordance to IEC 60 529.

Type ST 222 V __
Connector with LED and varistor.
Using the enclosed flat seal, fastening screw and nut appropriately the system reaches protection class IP 65 in accordance to IEC 60 529.

Type ST 22 L 5000
Connector with black housing and 5 meter moulded cable.
In combination with the HAFNER Epoxy coils type MA 22 D, adding two O-rings at the top of the solenoid system, fastening screw and nut appropriately the system reaches protection class IP 67 in accordance to IEC 60 529. Seal is part of the housing.

Type ST 222 V __ L 1500
Connector with LED and varistor and 1,5 meter moulded cable.
In combination with the HAFNER Epoxy coils type MA 22 D, adding two O-rings at the top of the solenoid system, fastening screw and nut appropriately the system reaches protection class IP 67 in accordance to IEC 60 529. Seal is part of the housing.

ST 22 M12
Connector with black housing and M12 x 1 connection.
Using the enclosed flat seal, fastening screw and nut appropriately the system reaches protection class IP 65 in accordance to IEC 60 529.

ST 22 NPTF
Connector with black housing and 1/2" NPTF conduit connection.
Using the enclosed flat seal, fastening screw and nut appropriately the system reaches protection class IP 65 in accordance to IEC 60 529.

Other connectors are available on request.

Type	LED	VAR	Operat. voltage	Max. current	Cable diameter	Cable length [mm]	Cable material	Connection	Weight
ST 22 E1N	no	no	0 - 250 V	10 A	6 - 8 mm			Industry form B - M16x1.5	0,025 kg
ST 22 2 V 24	red	yes	24 V ± 10 %	10 A	6 - 8 mm			Industry form B - M16x1.5	0,025 kg
ST 22 2 V 110	red	yes	110 V ± 10 %	10 A	6 - 8 mm			Industry form B - M16x1.5	0,025 kg
ST 22 2 V 230	red	yes	230 V ± 10 %	10 A	6 - 8 mm			Industry form B - M16x1.5	0,025 kg
ST 22 L 5000	no	no	0 - 250 V	6 A	6,5 mm	5.000	PVC	Industry form B	0,37 kg
ST 22 2 V 24 L 1500	red	yes	24 V ± 10 %	6 A	6,5 mm	1.500	PUR	Industry form B	0,14 kg
ST 22 2 V 110 L 1500	red	yes	110 V ± 10 %	6 A	6,5 mm	1.500	PVC	Industry form B	0,14 kg
ST 22 2 V 230 L 1500	red	yes	230 V ± 10 %	6 A	6,5 mm	1.500	PVC	Industry form B	0,14 kg
ST 22 M12	no	no	0 - 250 V	4 A				Industry form B - M12x1	0,021kg
ST 22 NPTF	no	no	0 - 250 V	10 A				Industry form B - 1/2" NPTF	0,020 kg