



MADE IN DENMARK

Datasheet

Seaview 400

The Seaview Clear View Screen (CVS) is manufactured from seawater-resistant aluminium. The pane functions via it's front part rotating at high speed which carries the water outwards creating a clear view even at roughest weather conditions.

The CVS can be equipped with a heating element on request. The heater ensures that the pane does not fog up. It also prevents the mechanism from freezing at sub-zero temperatures. For sailing in very cold areas the CVS can be delivered with a tubular heating element.

All external metallic parts are made of seawater resistant aluminum or stainless steel ss316.

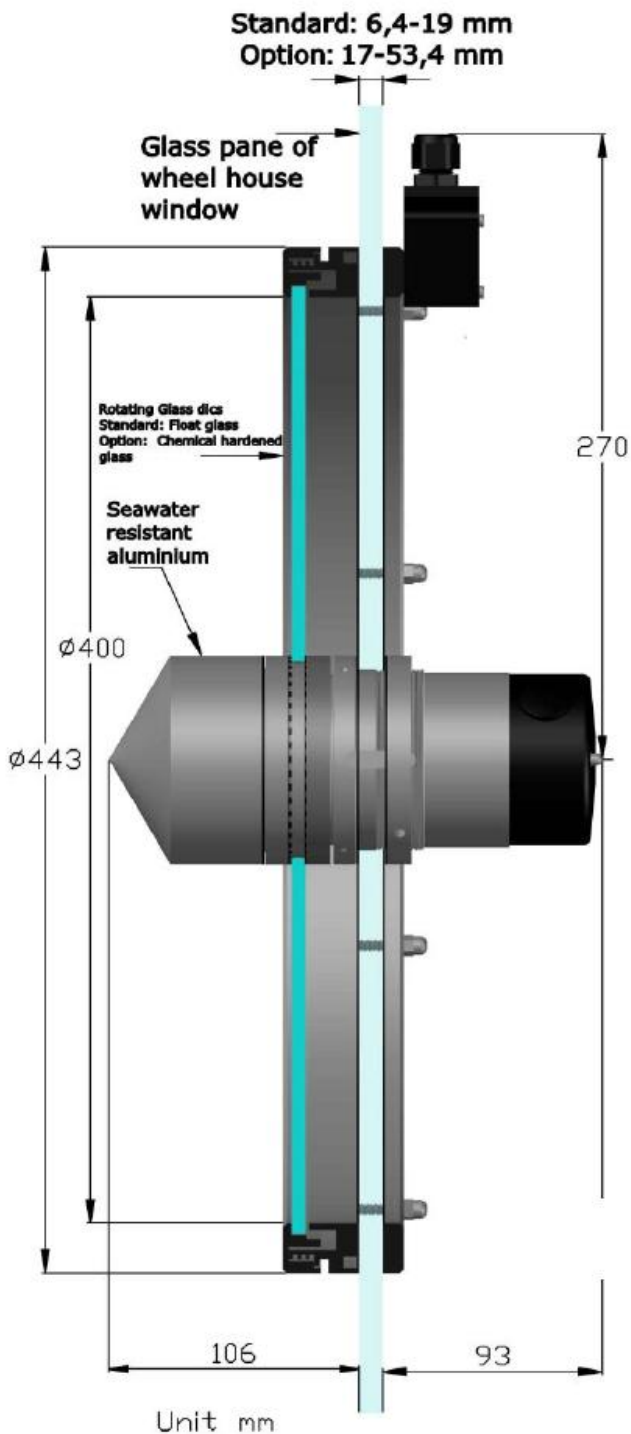
The CVS comes with detailed installation instructions as well as a drill template and mounting tool.

The CVS can be delivered in the following voltages: 12V DC – 24V DC – 110V AC and 220V AC. All versions available with or without heating.

An operating panel can be ordered separately either as an assembled box ready to be mounted on a wall or a front panel for insertion into a wall, cabinet or console.

The glass thickness needs to be specified on order.

Before the CVS can be installed a hole for the motor and 10 holes for the fastening screws need to be drilled.



Specifications

- Diameter of pane: 443mm
- Viewing diameter: 400mm
- Internal depth: 93mm
- Glass thickness: 6,4mm-19mm (standard), 17mm-53,4mm (option)
- Motor speed: 1200-1400 rpm
- Motor power: 120W
- Heater: 150W
- Weight: 7,5kg

Welcome to the world of Observator

Thanks to our integrated vision on sustainable business operations, we – from Observator – have evolved to be a trend-setting developer and supplier in a wide variety of industries.

Originating from the Netherlands, Observator has grown into an internationally oriented company with a worldwide distribution network and offices in Australia, Germany, the Netherlands, Poland, Singapore and the United Kingdom.



www.observator.com