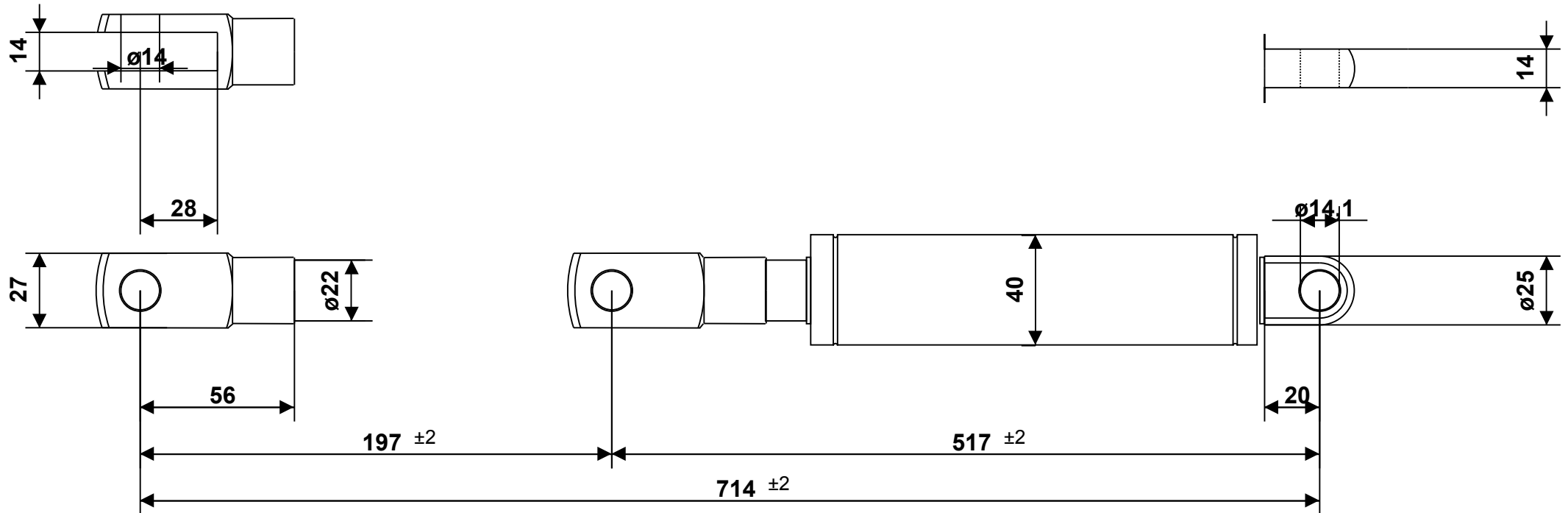


Hahn Part Number: 28-22GEC  
 G 22 40 0200 9 0714 GA56 AZ20 03700N /1/5/Si/V2

**Usable stroke less than nominal stroke**



Intended for internal use and customer / Tolerance of ext. length: +/- 2mm - Dimensions without tolerance: per DIN ISO 2768-1 -c (ISO 2768 -c) - For Information Only  
 Force tolerance: F1 >= 1000N: +/- 5%; < 1000N: +/- 10%, min.: +/- 10N, max.: +/- 50N - Unregistered Copy, Print-out or file not subject to modification service.  
 End fitting orientation is random and not represented by drawing unless specified - Observe disposal instructions - Not true to scale



Please note our technical instructions

Assembly/storing with piston rod down

16. Mar 2026

Auto-Printservice

No opening-no heating-high pressure

Made in Germany

Part

Dimension

Material / Surface

Fitting

Progr.:27,70 %

Drawing owned by Hahn Gasfedern GmbH

Piston rod

Ø22mm

V2a

GA56 M14x1,5 Ø14 V2A

info@hahn-gasfedern.de

Cylinder

Ø40mm

V2a,

AZ20 Ø14,1 t=14 V2a

www.hahn-gasfedern.de

Configuration ID : 10080842-