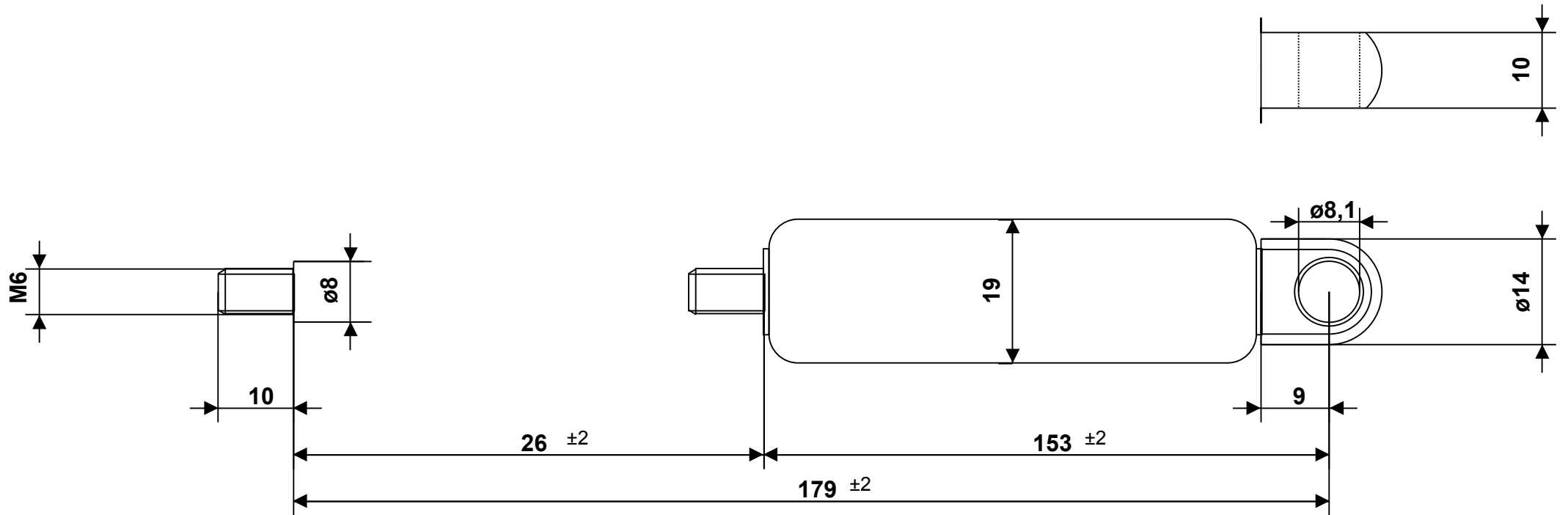


Hahn Part Number: 28-00YP4
 G 08 19 0025 1 0179 GZ10 AB09 00400N



Intended for internal use and customer / Tolerance of ext. length: +/- 2mm - Dimensions without tolerance: per DIN ISO 2768-1 -c (ISO 2768 -c) - For Information Only
 Force tolerance: F1 >= 1000N: +/- 5%; < 1000N: +/- 10%, min.: +/- 10N, max.: +/- 50N - Unregistered Copy, Print-out or file not subject to modification service.
 End fitting orientation is random and not represented by drawing unless specified - Observe disposal instructions - Not true to scale



Please note our technical instructions

Assembly/storing with piston rod down

30. July 2024

Auto-Printservice

No opening-no heating-high pressure

Made in Germany

Part	Dimension	Material / Surface	Fitting	Progr.:6,90 %
------	-----------	--------------------	---------	---------------

Piston rod	Ø8mm	Stahl, hartverchromt	GZ10 M6x10	
------------	------	----------------------	------------	--

Cylinder	Ø19mm	Stahl,schwarz	AB09 Ø8,1 t=10	
----------	-------	---------------	----------------	--

Configuration ID : 10055686-