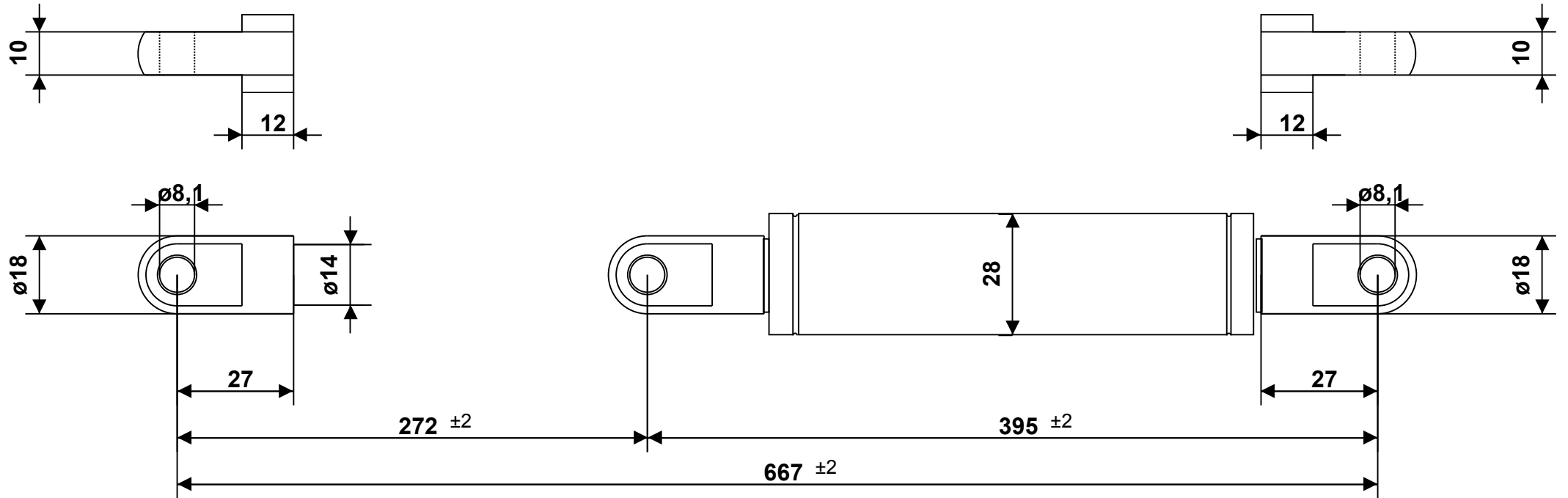


Hahn Part Number: 28-02I5U
G 14 28 0270 1 0667 AU27 AU27 01300N /5/Si/V2



Intended for internal use and customer / Tolerance of ext. length: +/- 2mm - Dimensions without tolerance: per DIN ISO 2768-1 -c (ISO 2768 -c) - For Information Only
 Force tolerance: F1 >= 1000N: +/- 5%; < 1000N: +/- 10%, min.: +/- 10N, max.: +/- 50N - Unregistered Copy, Print-out or file not subject to modification service.
 End fitting orientation is random and not represented by drawing unless specified - Observe disposal instructions - Not true to scale



Please note our technical instructions

Assembly/storing with piston rod down

16. Feb 2026

Auto-Printservice

No opening-no heating-high pressure

Made in Germany

Part

Dimension

Material / Surface

Fitting

Progr.:60,70 %

Drawing owned by Hahn Gasfedern GmbH

Piston rod

Ø14mm

V2A

AU27 M10 Ø8.1 t=10 V2a

info@hahn-gasfedern.de

Cylinder

Ø28mm

V2A,

AU27 M10 Ø8.1 t=10 V2a

www.hahn-gasfedern.de

Configuration ID : 10079526-