

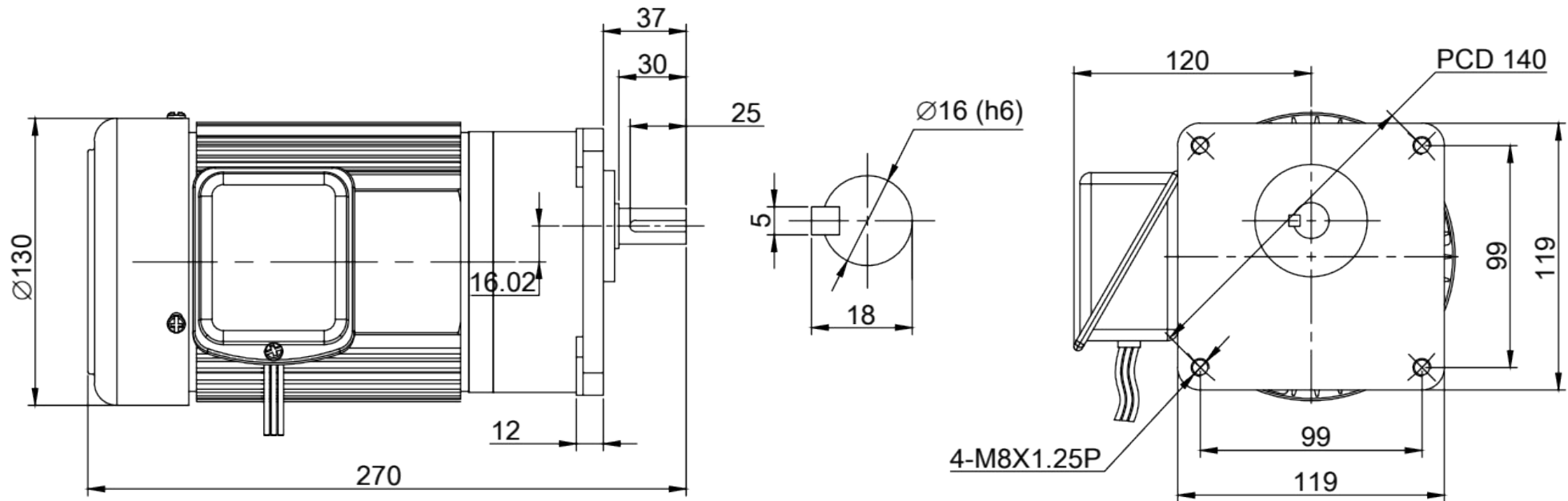
J220-200-25-A-G1 CE



LUYANG
Innovation In Motion

1/4HP 1 ϕ 110V
1650rpm 60Hz 2.97A

1:25 4P 16 μ F 001260320
Made in Taiwan



LUYANG
Technology Co., Ltd

Angle Projection		Draw NO.	- -		Model	J220-200-25-A-G1
Drawer	Sam	Scale	1 : 2.5	DEV.		
Date	2015/07/06	Units	mm	00		