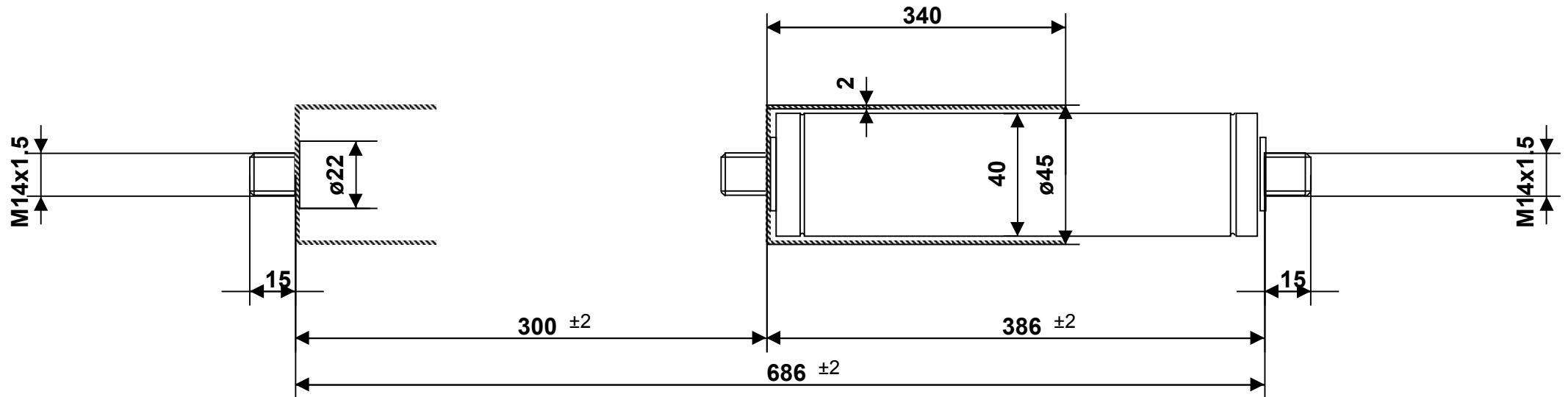


Hahn Part Number: 28-02RSL
 G 22 40 0300 1 0686 GZ15 GZ15 06000N /5/6/Si



Intended for internal use and customer / Tolerance of ext. length: +/- 2mm - Dimensions without tolerance: per DIN ISO 2768-1 -c (ISO 2768 -c) - For Information Only
 Force tolerance: F1 >= 1000N: +/- 5%; < 1000N: +/- 10%, min.: +/- 10N, max.: +/- 50N - Unregistered Copy, Print-out or file not subject to modification service.
 End fitting orientation is random and not represented by drawing unless specified - Observe disposal instructions - Not true to scale



Please note our technical instructions

Assembly/storing with piston rod down

19. Jan 2026

Auto-Printservice

No opening-no heating-high pressure

Made in Germany

Part

Dimension

Material / Surface

Fitting

Progr.:62,90 %

Drawing owned by Hahn Gasfedern GmbH

Piston rod

Ø22mm

Stahl, hartverchromt

GZ15 M14x1.5x15

Cylinder

Ø40mm

Stahl,schwarz (2k)

GZ15 M14x1.5x15

Configuration ID : 10078353-