

RINGdr ATEX 634/A T



APPLICATIONS

RINGDR ATEX line is designed to grant a correct air extraction avoiding risks of explosion due to the presence of flammable gases. For instance in ventilation of battery rooms, petro-chemical platforms, laboratories etc., for wall or panel fixing.

RANGE

This line consists of 13 sizes with impeller diameter from 300 up to 1250 mm.

ADVANTAGES

RINGDR ATEX line is characterized by particular materials and design to avoid as much as possible the risk of explosion, according to the ATEX 2014/34/EU Directive. Different constructions are foreseen for fans in category 2G or 3G.

CONSTRUCTION

- Ring casing , in epoxy painted steel sheet with or without aluminum stripe around the impeller rotation area.
- Motor side protection grid, manufactured according to UNI EN ISO 12499 standards, in steel rod, protected against the atmospheric agents.
- Impeller with high efficiency airfoil blades, in aluminum, or in antistatic plastic material, hub in die-cast aluminum alloy.
- Balancing according to UNI ISO 1940.
- Variable pitch angle in still position.
- Asynchronous three phase or single phase electric motor, IP55, class F, service S1, mounting type B3, according to IEC/EEC (UNELMEC).
- ATEX APPROVED FOR EXPLOSIVE ATMOSPHERE G GROUP II.
- Arrangement 4 (impeller directly coupled to motor shaft):

TECHNICAL SPECIFICATIONS

- Conveyed fluid: clean gas, not abrasive or corrosive.
- Temperature of conveyed fluid: -20 °C / +40°C.
- Voltage: three-phase version (T) 400V-3Ph - 50Hz. single-phase version (M) 230V-1Ph 50Hz.
- Air flow from motor to impeller, position A (FMG).

VERSIONS

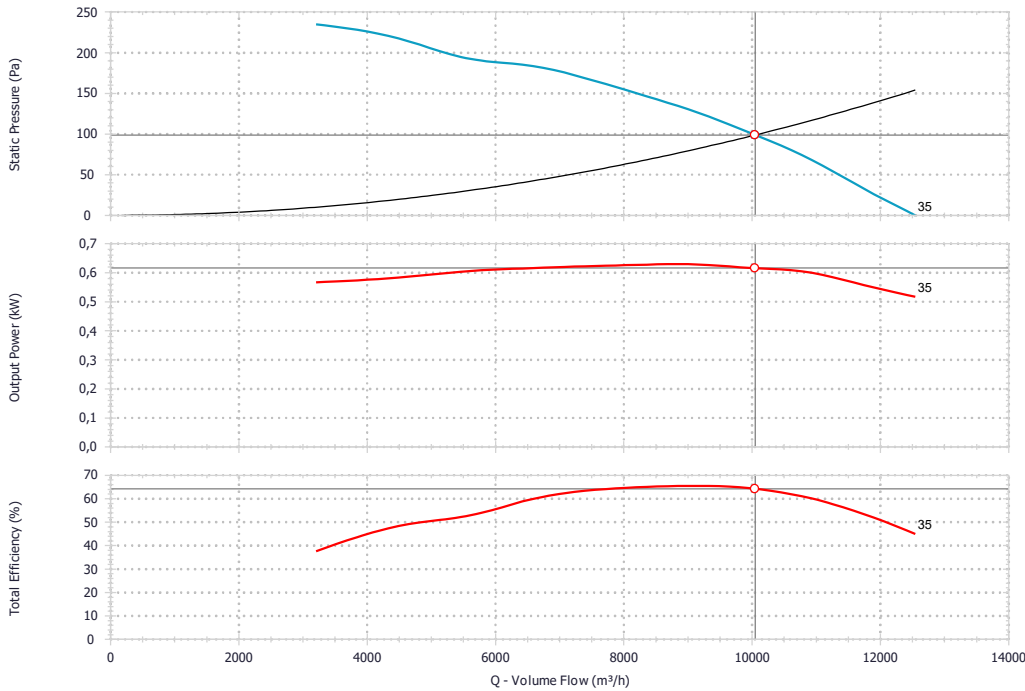
- RING dr: casing with double round shaped nozzle.
- RING sr: casing with single round shaped nozzle.

ON REQUEST

- Performances different from catalogue.
- Versions with 100% reversible air flow (RING-REV).
- Versions with conveyors in stainless steel, or aluminum or other materials according to the actual directives.
- Versions with casing with one round shaped inlet and flat flange impeller side (RING drp-g).
- Versions with casing with one round shaped inlet and flat flange motor side (RING drp-m).
- Versions with air flow from impeller to motor, position B (FGM).

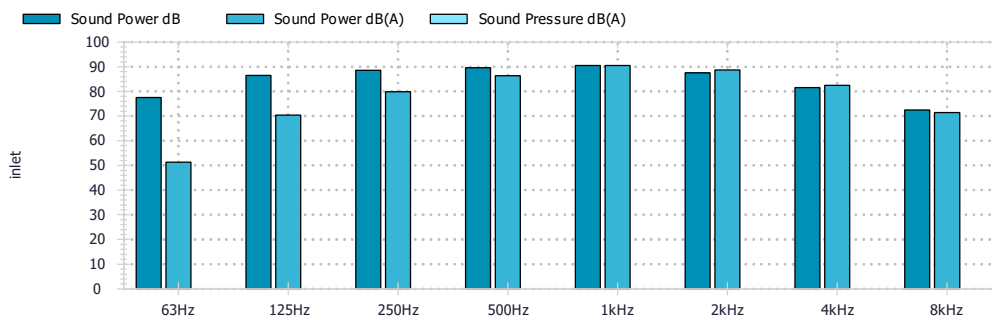
RINGdr ATEX 634/A T

FAN PERFORMANCE



Requested Point	
Q	10.037 m ³ /h
Ps	99 Pa
Selected Point	
Q	10.049 m ³ /h
Ps	99 Pa
Pd	42,8 Pa
Pt	142 Pa
Fan Speed	1410 rpm
Conditions	50 °C @ 0 m
	1,07 kg/m ³
Temperature	-20°C / +40°C
Outlet Velocity	8,95 m/s
SFP	0,28 W/l/s
Output Power	0,616 kW

PERFORMANCE MODELS ARE PREPARED WITH GREAT CARE AND THE DATA ARE CHECKED FOR CORRECTNESS. HOWEVER, NO LIABILITY CAN BE ASSUMED FOR ANY INCORRECT OR INCOMPLETE DATA.



	Lw dB	Lw dB(A)	Lp dB(A) @ 3m
63 Hz	78	51	31
125 Hz	87	70	50
250 Hz	89	80	59
500 Hz	90	86	66
1000 Hz	91	91	70
2000 Hz	88	89	68
4000 Hz	82	83	62
8000 Hz	73	71	51
Overall	96	94	74

AIR PERFORMANCE AND SOUND POWER LEVELS ARE WITHIN THE TOLERANCES ALLOWED BY THE DIN 24166 STANDARD FOR CLASS 2. HOWEVER, NO LIABILITY CAN BE ASSUMED FOR ANY INCORRECT OR INCOMPLETE DATA.

TECHNICAL INFORMATION

Product Code	CTBD
Impeller Name	EV 630/174 8
Static Pressure	99 (99) Pa
Outlet Velocity	8,95 m/s
Fan Static Efficiency	44,8 %
SFP	0,28 W/l/s
Air Density	50 °C @ 0 m 1,07 kg/m ³

Impeller Type	Group-RingAx
Air Volume	10.037 (10.049) m ³ /h
Total Pressure	142 Pa
Fan Total Efficiency	64,2 %
Fan Output Power	0,616 kW
Service Factor Override	0
Temperature Range	-20°C / +40°C

MECHANICAL DATA

Blade Type	-
Gap	-
Material	-
Tip Speed	47 m/s
Resist. Torque	-

Diameter	630 mm
No Of Blades	-
Rotation Speed	1410 rpm
Angle	35°
Thrust	-
Inertia	-

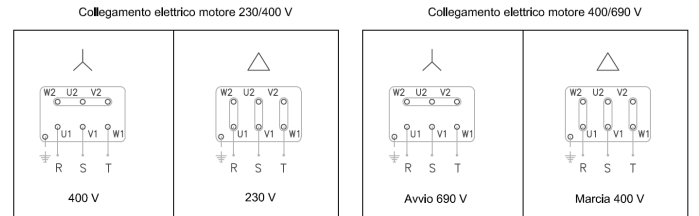
ERP INFORMATION

ERP Compliance	NSE
----------------	-----

RINGdr ATEX 634/A T

MOTOR INFORMATION

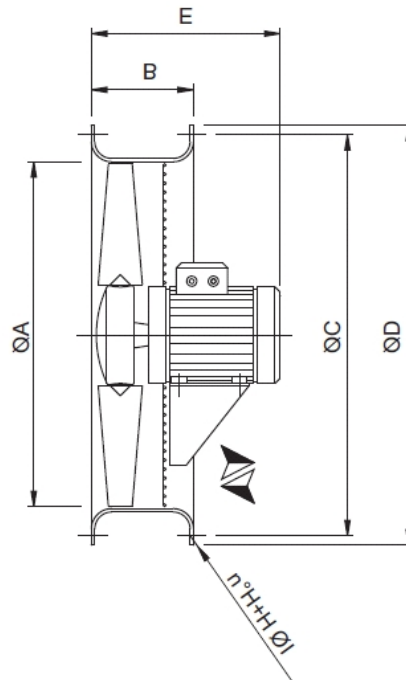
Electrical Supply	400/3/50
Motor Rating	0.75 kW
Energy Class	-
Full Load Current	1.8 A
Frame Size	80
Motor Poles	4
Motor Speed	1410 rpm
Diameter	630 mm
Blade Type	-
No Of Blades	-
Gap	-
Rotation Speed	1410 rpm
Material	-
Angle	35°
Tip Speed	47 m/s
Thrust	-
Resist. Torque	-
Inertia	-



Questo collegamento necessita di un commutatore stella triangolo
 The above wiring needs a delta-star switch

DRAWING AND DIMENSIONS

Key	ØA (mm)	B(sr) (mm)	B(dr) (mm)	B(drp) (mm)	ØC (mm)	ØD (mm)	E(*) (mm)	ØF (mm)	ØG (mm)	n°H (mm)	ØI (mm)	n°L (mm)	ØM (mm)	Kg
Value	640	180	180	180	720	750	440	690	725	8	10	12	12	32/54



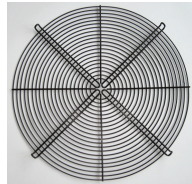
PERFORMANCE MODELS ARE PREPARED WITH GREAT CARE AND THE DATA ARE CHECKED FOR CORRECTNESS. HOWEVER, NO LIABILITY CAN BE ASSUMED FOR ANY INCORRECT OR INCOMPLETE DATA.

RINGdr ATEX 634/A T

AVAILABLE ACCESSORIES

FREE CODE

FREE CODE



FPG/Ridr 630 RETE LATO
GIRANTE/ IMPELLER SIDE
GRID



FF-RI PIEDI/ SUPPORT
FEET 630



OTB-DU-EX 10
MORSETTIERA ATEX (max
10A)/ TERMINAL BOX
ATEX(max 10A)



OTB-DU-EX 30
MORSETTIERA ATEX (max
30A)/ TERMINAL BOX
ATEX(max 30A)



OTB-DU-EX 70
MORSETTIERA ATEX (max
70A)/ TERMINAL BOX
ATEX(max 70A)



SW INT. DI SERVIZIO ATEX
MONTATO / ATEX
SERVICE SWITCH FITTED