

Emergency LED T8 Tube

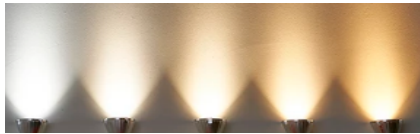
E2-T8-4FT-18W-EBBU-CCT



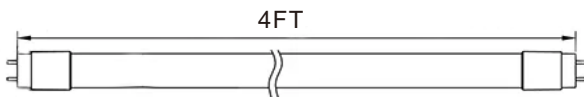
ETL CLASSIFIED



Intertek



5000K 4000K 3500K 3000K 2700K



Dimension

Product Description:

The Emergency LED T8 Tube light is safe and reliable product. Built - in constant current driving power supply to provide stable current for the light, with over current / overload / over voltage protection function. The high quality comes from top chip company we cooperation with. The best material of environmentally friendly we choice. Tunable CCT from 2700K to 5000k.

Features

- AC100-277V Input voltage
- 4FT integrated emergency LED T8 2700K & 3000K & 3500K & 4000K & 5000K
- Built-In 6w Emergency Pack
- Aluminum heat-sink for long lifetime
- ETL

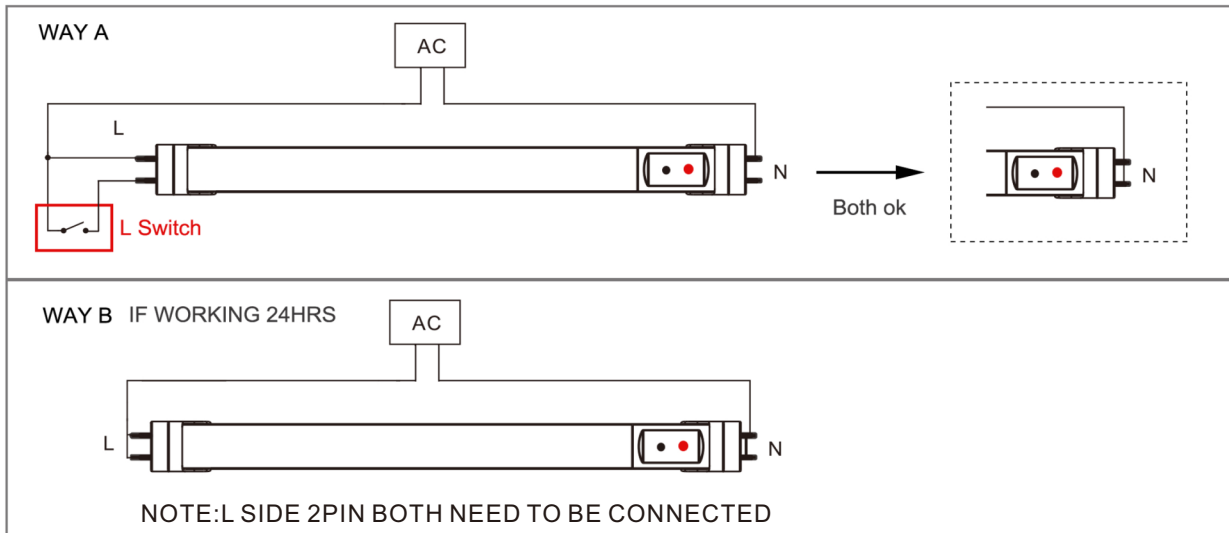
Specifications

Input voltage	100-277VAC	Emergency output power	6 W
Input frequency	50/60 Hz	Emergency mode Lumen	780 Lumens
Battery specification	6.4V	AC oulput pover	18 W
Emergency time	1.5H	AC mode Lumen	2340lm

Application

Ideal for school, hospitality, retail, office, home etc.

Wiring Diagram



CAUTIONS:

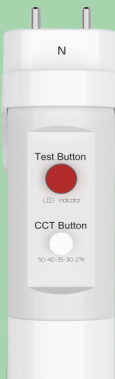
Please read this manual carefully before installing emergency tube.

Please turn off AC power before rewiring and installation.

Ensure that L and N of the tube are properly connected to L and N of the AC power supply!



Instruction

	<p>A. Finish installation, Push CCT button to change CCT “5000K-4000K-3500K-3000K-2700K-Turn Off repeat</p>			
	<p>B. Test Button</p> <ol style="list-style-type: none"> 1. Push test button when AC power on no mater switch on/off LED T8 turn to Emergency Mode 2. When Power Off and LED T8 turn to Emergency Mode Push down the Test Button 3 seconds and turn off the T8 , it will only work after AC power on 			
	<p>C. LED Indicator</p> <table border="0"> <tr> <td>Charing-slow flickering</td> <td>Issue-quick flickering</td> </tr> <tr> <td>Normal state- Turn off</td> <td>Emergency Mode- Turn on</td> </tr> </table>	Charing-slow flickering	Issue-quick flickering	Normal state- Turn off
Charing-slow flickering	Issue-quick flickering			
Normal state- Turn off	Emergency Mode- Turn on			